

X201
Model Numbers: 74101

DEPEND ON
DAVEY



**SELF PRIMING
ELECTRIC PUMP**

**PRODUCT
DESCRIPTION**

Economical, compact, 1 stage open impeller, self priming centrifugal pump driven by a TEFC motor. Designed for total head duties to 18m and flows to 195lpm.

APPLICATIONS

Ideal for pumping clean or grey water with some small fibres or soft solids in such applications as:-

- Water supply
- Water transfer
- Septic tank emptying
- Draining of water tanks

DESIGN FEATURES

PUMP

- 1 stage (single impeller)
- Open vane impeller
- Stainless steel impeller wear plate
- Inbuilt check valve
- Mechanical shaft seal
- O-ring casing seal

MOTOR

- Davey manufactured
- TEFC with IP55 enclosure
- Class F insulation
- Double contact C3-HTG sealed bearings
- Inbuilt thermal overload protection
- Plastic feet on motor shell

BENEFITS

- Manufactured from quality corrosion resistant materials.
- TEFC motor corrosion resistant and excludes dust and dirt.
- Motor and pump designed for frequent starts.
- Quick and easy installation.
- Low maintenance.
- Easy to service if required.
- Quick self priming.

OPERATING LIMITS

Maximum self priming suction head	7.5m
Maximum water temperature	50°C
Minimum water temperature	1°C
Inlet size	1¼" BSP(F)
Outlet size	1¼" BSP(F)
Maximum ambient temperature	55°C
Maximum casing pressure	300kPa

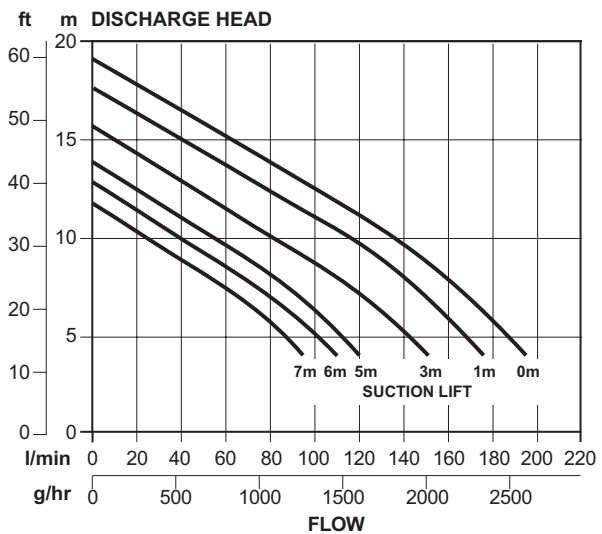


TECHNICAL SPECIFICATIONS

MATERIALS OF CONSTRUCTION

PART	MATERIAL
Impeller	Glass filled nylon
Impeller wear plate	304 Stainless steel
Pump casing	Glass filled noryl
Seal ring (rotating)	Carbon
Seal ring (stationary)	Ceramic
Seal spring	304 stainless steel
Orings	Nitrile rubber
Check valve	Delrin
Priming plug	Glass filled nylon
Motor shell	Marine grade aluminium
Shell finish	Baked polyester

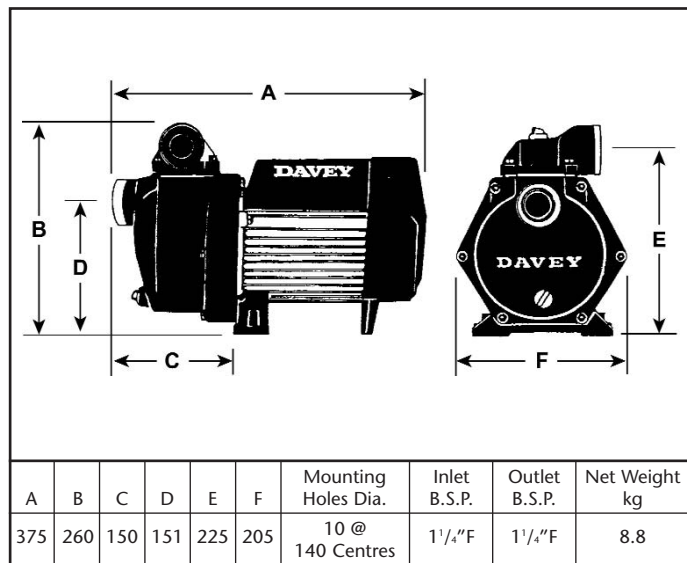
HYDRAULIC PERFORMANCE



ELECTRICAL DATA

Supply voltage	220-250V
Supply frequency	50Hz
Full load current	4.4A
Locked rotor current	18.0A
Input power (P ₁)	0.95kW
Output power (P ₂)	0.70kW
Enclosure class	IP55
Insulation class	Class F
Starting	P.S.C.

DIMENSIONS



All dimensions in mm unless otherwise stated.

INSTALLATION & PRIMING

- Installations with suction lift require a good quality foot valve to avoid loss of prime.
- To prime, fill pump body and suction line through priming plug hole located above suction inlet and replace plug.

This literature is not a complete guide to product usage. Further information is available from your Davey dealer, Davey Customer Service Centre and from the relevant product Installation and Operating Instructions. This data sheet must be read in conjunction with the relevant product Installation and Operating Instructions and all applicable statutory requirements. Product specifications may change without notice. © Davey is a registered trademark of Davey Products Pty Ltd. © Davey Products Pty Ltd 2000.



Visit Davey Pumps on-line for further information
www.davey.com.au

DEPEND ON
DAVEY

Davey Products Pty Ltd

Member of the GUD Holdings Ltd Group
ABN 18 066 327 517
Head Office and Manufacturing
 6 Lakeview Drive,
 Scoresby, Australia 3179
 Ph: +61 3 9730 9222
 Fax: +61 3 9753 4100
 Website: www.davey.com.au
Customer Service Centre
 Ph: 1300 367 866
 Fax: 1300 369 119
 E-mail: sales@davey.com.au
Interstate Offices
 Sydney - Brisbane - Adelaide
 Perth - Townsville

International

6 Lakeview Drive,
 Scoresby, Australia 3179
 Ph: +61 3 9730 9121
 Fax: +61 3 9753 4248
 E-mail: export@davey.com.au

Germany

Kantstrasse 47,
 04275 Leipzig
 Ph: +49 341 301 0412
 Fax: +49 341 301 0413
 E-mail: akrenz@daveyeurope.com

New Zealand

2 Rothwell Avenue,
 North Harbour, Auckland 1330
 Ph: +64 9 914 3680
 Fax: +64 9 914 3685
 Website: www.daveynz.co.nz
 E-mail: sales@daveynz.co.nz

USA

Davey Pumps Inc.
 1005 N. Commons Drive
 Aurora, Illinois 60504
 Ph: +1 630 898 6976
 Fax: +1 630 851 7744
 Website: www.daveyusa.com
 E-mail: sales@daveyusa.com