



Experts in water.

DAVEY

APPLICATIONS

Ideal for supplying high pressure water for:

- Farm water supply from dams, creeks and rivers
- Tank filling
- Stock watering
- Sprinkler supply



Tested in compliance with
AS/NZS 4020
for use in contact with safe drinking water

Shallow Well Pressure System with Torrium®2

Model Numbers: 095S1T, 125S1T, 165S1T

Robust and compact shallow well, single stage, jet assisted centrifugal pump with Torrium2® constant flow control and loss of prime device for farm water supply.

WHY CHOOSE THE Davey Shallow Well Pressure System?

PRESSURE SYSTEM

The Shallow Well Pressure System consists of a shallow well jet pump fitted with a Torrium®2 controller.

The combination of high pressures supplied by the jet assisted shallow well pump and constant flow with loss of prime protection provided by the Torrium®2 controller enables consistent and trouble free operation whilst protecting the pump from damage.

The Torrium®2 controller is supplied connected electrically to the shallow well pump motor for:

- Easy non-tradesman installation and assembly
- Positive safety under varied weather conditions

All parts of the system that are in contact with the water are manufactured from safe, corrosion resistant materials for:

- Consumer confidence that their water supply will be as good coming out as it was going into the system
- Ability to use the shallow well pressure system on a variety of water qualities

Compliance with the strict requirements of ISO 9001.2000 quality standards ensures consistency of quality of the system.

For more detailed information on the Torrium®2 controller, please refer to the Torrium®2 datasheet on the Davey website.

cont. overleaf



PUMP

1 Stage (Single Impeller).

Jet assisted.

Marine grade aluminium pump body with Rilsan® lining.

Interchangeable jet/venturi kits to match pump performance to required duty.

Pressure gauge supplied.

Colour coded jets and venturis for easy identification.

MOTOR

Davey manufactured.

2 pole, 2900rpm, 50Hz.

Class F insulation, IP56.

Permanently split capacitor design for single phase motors.

Double contact seal C3, high temperature greased bearings.

Inbuilt thermal overload protection with automatic reset in all 1Ø models.

High TEFC - IP rating for long term protection against vermin, dust and water.

Manufactured from quality corrosion resistant materials.

OPERATING LIMITS			
Type	095S1T	125S1T	165S1T
Maximum capacity (@260kPa, nil suction) lpm	95	126	165
Maximum suction head (m)	7.5		
Maximum water temperature	50°C		
Minimum water temperature	1°C		
Inlet size	1 1/2" BSP(F)		
Outlet size	1 1/4" BSP(F)		

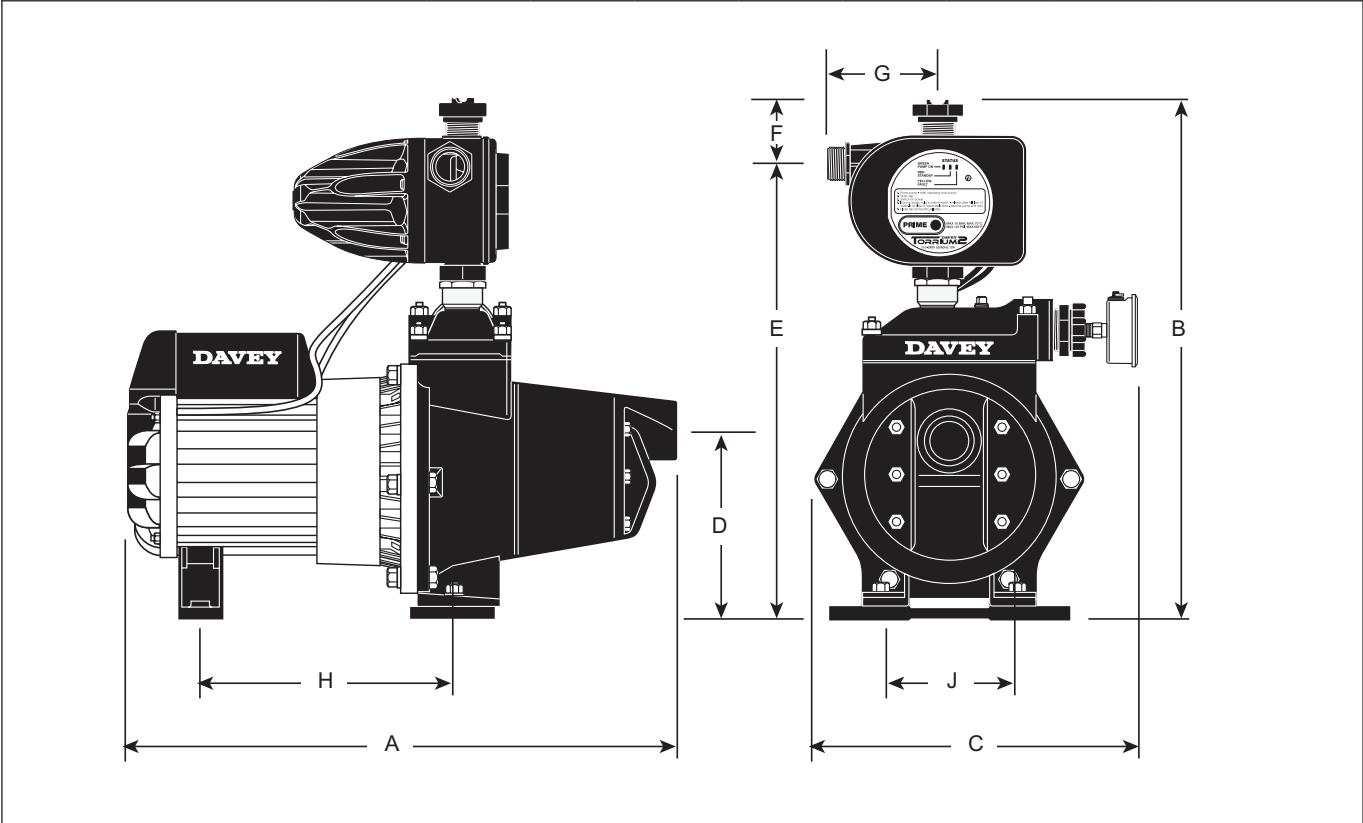
MATERIALS OF CONSTRUCTION	
Part	Material
Suction cover	Aluminium-Rilsan® lined
Pump body	Aluminium-Rilsan® lined
Discharge port	Aluminium-Rilsan® lined
Diffuser	Glass filled Noryl
Backplate	Glass filled Noryl
Jet/Venturi housing	Glass filled Noryl
Impeller	Glass filled polycarbonate
Jet	Acetyl
Venturi	Acetyl
Seal ring (stationary)	Ceramic
Seal ring (rotating)	Carbon
Orings	Nitrile rubber
Priming plug	Nylon
Shaft sleeve	316 stainless steel
Motor shell	Aluminium
Motor shell finish	Polyester powder coat
Capacitor cover	Polypropylene
Terminal box cover	Polypropylene
Mounting feet	Xenoy®

ELECTRICAL DATA			
Shallow Well Pump - Type	095S1T	125S1T	165S1T
Supply voltage (1Ø)	220-250		
Output power (kW)	1.1	1.4	1.8
Maximum rated current @ 240V (amps)	7.2	8.5	10
Locked rotor current @ 240V (amps)	21	25	39
Insulation class	F		
IP rating	IP56		
Starting (1Ø)	P.S.C.		
Torrium®2			
Model	TT70		
Voltage	110-240V±10%		
Phase	Single		
Hz	50 / 60		
IP rating	IP56		
Maximum load current	10A		
Maximum motor size @ 240V input	1.8kW		
Surge protection	Varistor		

IDENTIFICATION			
Model Number	095S1T	125S1T	165S1T
Pump	95S	125S	165S



DIMENSIONS (mm)												
Model	A	B	C	D	E	F	G	H	J	Inlet B.S.P.	Torrium [®] Outlet B.S.P.	Net Weight (kg)
095S1T	535	490	295	158	430	75	115	210	210	1½" F	1" M	21
125S1T	555	490	295	158	430	75	115	230	210	1½" F	1" M	23.5
165S1T	555	490	295	158	430	75	115	230	210	1½" F	1" M	24



SHALLOW WELL PUMPS																							
Pump Model	Jet Kit No.	Total Suction Head m ft		Delivery Head in metres/feet												Maximum Shut-Off Pressure kPa psi							
				26	85	28	92	34	112	38	125	41	135	48	157			55	180	62	203	66	217
				Delivery Head in kPa/psi																			
				260	38	280	41	340	49	380	55	410	59	480	70			550	80	620	90	660	96
Output per minute in litres/gallons																							
95ST 1ph 1.6kW * 1.1kW ◊ 7.2A	22690* Jet-Black Venturi-Green	0	0	95	20.8	91	20.0	60	13.1	42	9.2	29	6.3						480	70			
		1.5	5	86	18.9	83	18.2	55	12.0	40	8.7	27	5.9						476	69			
		4.0	13	70	15.3	69	15.1	45	9.8	30	6.5	17	3.7						450	65			
		6.0	20	55	12.0	55	12.0	37	8.1	22	4.8	10	2.1						430	62			
		7.5	25	42	9.2	42	9.2	34	7.4	15	3.2								412	60			
	22691 Jet-Brown Venturi-White	0	0			65	14.2	53	11.6	46	10.1	31	6.8	19	4.1				680	98			
		1.5	5			60	13.1	50	10.9	43	9.4	29	6.3	17	3.7				670	97			
		4.0	13			48	10.5	41	9.0	35	7.6	24	5.2	14	3.0				645	93			
		6.0	20			38	8.3	37	8.1	32	7.0	21	4.6	11	2.4				630	91			
		7.5	25			31	6.8	31	6.8	28	6.1	20	4.3	10	2.1				620	90			
125ST 1ph 2.1kW * 1.4kW ◊ 8.5A	22693* Jet-Black Venturi-Black	0	0	126	27.7	126	27.7	100	21.9	72	15.8	51	11.2						482	70			
		1.5	5	113	24.8	113	24.8	84	18.4	64	14.0	45	9.8						470	68			
		4.0	13	93	20.4	93	20.4	70	15.3	50	10.9	28	6.1						445	64			
		6.0	20	70	15.3	70	15.3	59	12.9	36	7.9	11	2.4						425	62			
		7.5	25	57	12.5	57	12.5	43	9.4	18	3.9								400	58			
	22694 Jet-Green Venturi-Brown	0	0			90	19.7	78	17.1	67	14.7	47	10.3	28	6.1				660	96			
		1.5	5			82	18.0	73	16.0	63	13.8	43	9.4	24	5.2				650	94			
		4.0	13			67	14.7	66	14.5	56	12.3	37	8.1	19	4.1				630	91			
		6.0	20			53	11.6	53	11.6	52	11.4	34	7.4	16	3.5				615	89			
		7.5	25			44	9.6	44	9.6	44	9.6	33	7.2	15	3.2				605	88			
22695 Jet-Yellow Venturi-White	0	0							60	13.1	45	9.8	31	6.8	20	4.3		780	113				
	1.5	5							54	11.8	39	8.5	28	6.1	17	3.7		750	109				
	4.0	13							48	10.5	36	7.9	25	5.4	15	3.2		730	106				
	6.0	20							38	8.3	33	7.2	23	5.0	13	2.8		710	103				
	7.5	25							31	6.8	28	6.1	19	4.1	10	2.1		690	100				
165ST 1ph 2.4kW * 1.8kW ◊ 10.0A	22697* Jet-White Venturi-Yellow	0	0	165	36.2	165	36.2	105	23.0	77	16.9	62	13.6						490	71			
		1.5	5	144	31.6	144	31.6	90	19.7	67	14.5	53	11.6						480	70			
		4.0	13	120	26.3	120	26.3	82	18.0	58	12.7	38	8.3						454	66			
		6.0	20	90	19.7	90	19.7	76	16.7	52	11.4	26	5.7						440	64			
		7.5	25	70	15.3	70	15.3	60	13.1	32	7.0								415	60			
	22698 Jet-Red Venturi-Red	0	0			112	24.6	88	19.3	76	16.7	51	11.2	26	5.7				630	91			
		1.5	5			100	21.9	82	18.0	71	15.6	47	10.3	22	4.8				622	90			
		4.0	13			88	19.3	75	16.4	64	14.0	41	9.0	16	3.5				598	87			
		6.0	20			70	15.3	64	14.0	57	12.5	32	7.0	8	1.7				572	83			
		7.5	25			54	11.8	54	11.8	50	10.9	26	5.7						552	80			

★ Input kW (P₁) ◊ Output kW (P₂)

Important Information

- * Denotes standard configuration. Models 95S, 125S & 165S may be converted to higher pressure by fitting relevant Jet & Venturi.
- Plumbing Connections: Inlet – 1½” (38 mm) BSPP Female. Outlet – 1¼” (32mm) BSPP Female – all models.
- To convert litres/minute to gallons/hour multiply by 13.2. All imperial data is an approximation of metric figures. Specifications subject to change without notice.
- All models are supplied with plug and lead for 220/250 volt 50Hz operation.



davey.com.au | daveynz.co.nz

This literature is not a complete guide to product usage. Further information is available from your Davey Dealer, Davey Support Centre and from the relevant product Installation and Operating Instructions. Must be read in conjunction with the relevant product Installation and Operating Instructions and all applicable statutory requirements. Product specifications may change without notice.
 TM Davey is a trademark of Davey Water Products Pty Ltd. © Davey Water Products Pty Ltd 2014.