



GS 4" Series

Multi-stage centrifugal submersible pumps for clean water in 4" wells. High content of AISI 304 stainless steel. The floating impeller design ensures an excellent resistance to wear.

The upper and lower supports are made of precision-cast stainless steel ensuring resistance to corrosion, strength and rigid coupling to the motor. The non-return valve is integrated in the head to support the weight of the column of water and protect against water hammer, thus safeguarding impellers and diffusers. Can also operate in a horizontal position.

SPECIFICATIONS

Delivery: up to 21 m³/h

Head: up to 340 metres

Power supply: three-phase and single-phase 50 and 60 Hz

Single-phase version: 220-240 V, 50Hz

Three-phase version: 380-415 V; overload protection to be provided by user and installed in the control box (see control box section)

Power: 0.25 kW to 7.5 kW

Maximum overall diameter of pump (cable cover included): 99 mm

Water temperature: 0°C to +35°C

Maximum permissible quantity of suspended sand: 150 g/m³

MATERIALS

Valve cap, valve seat: Stainless steel

Valve gasket: NBR

Valve stop ring: Stainless steel

Upper support: Technopolymer

Bush bearings: Polyurethane

Impeller, diffuser: Technopolymer

Diffuser case, shim, pump shaft, outer sleeve, spacer, filter, coupling, cable cover:

Stainless Steel

APPLICATIONS

- Water supply
- Pressure boosting
- Irrigation
- Rain water collection
- Fire-fighting



For a complete list of technical information, consult www.lowara.com

Engineered for life



General Catalogue

2GS SERIES – HYDRAULIC PERFORMANCE TABLE AT 50 Hz

PUMP TYPE	N. OF STAGES	MOTOR POWER		Q = DELIVERY						
				l/min	0	20	25	30	40	50
				m ³ /h	0	1,2	1,5	1,8	2,4	3
				H = TOTAL HEAD METRES COLUMN OF WATER						
2GS02 ⁽¹⁾	5	0,37	0,5	33	30	28	26	20	13	
2GS03	7	0,37	0,5	47	42	40	36	29	19	
2GS05	10	0,55	0,75	67	60	56	52	41	27	
2GS07	14	0,75	1	93	83	79	73	57	37	
2GS11	20	1,1	1,5	133	119	113	104	82	53	
2GS15	28	1,5	2	187	167	158	146	115	74	
2GS22	40	2,2	3	267	238	226	208	164	106	
2GS30	52	3	4	347	309	294	271	213	138	

(1) Maximum pump absorbed power: 0,25 kW - 0,33 HP.

2gs-2p50-en_c_th

2GS..40S SERIES – DIMENSIONS AND WEIGHTS

ELECTRIC PUMP TYPE *	NUMBER OF STAGES	DNM	DIMENSIONS (mm)		PUMP WEIGHT kg	ELECTRIC PUMP WEIGHT kg
			L1	L		
			2GS02M-40S	5		
2GS03M-40S	7	Rp 1 1/4	280	633	2,9	10,5
2GS05M-40S	10	Rp 1 1/4	332	685	3,5	11,7
2GS07M-40S	14	Rp 1 1/4	402	780	4,2	13,5
2GS11M-40S	20	Rp 1 1/4	507	920	5,3	16,5
2GS15M-40S	28	Rp 1 1/4	680	1128	7,1	19,9
2GS22M-40S	40	Rp 1 1/4	914	1412	10,1	25,2
2GS03T-40S	7	Rp 1 1/4	280	612	2,9	10
2GS05T-40S	10	Rp 1 1/4	332	685	3,5	11,1
2GS07T-40S	14	Rp 1 1/4	402	755	4,2	12,4
2GS11T-40S	20	Rp 1 1/4	507	885	5,3	14,6
2GS15T-40S	28	Rp 1 1/4	680	1093	7,1	18,5
2GS22T-40S	40	Rp 1 1/4	914	1362	10,1	23
2GS30T-40S	52	Rp 1 1/4	1120	1568	12,2	26,1

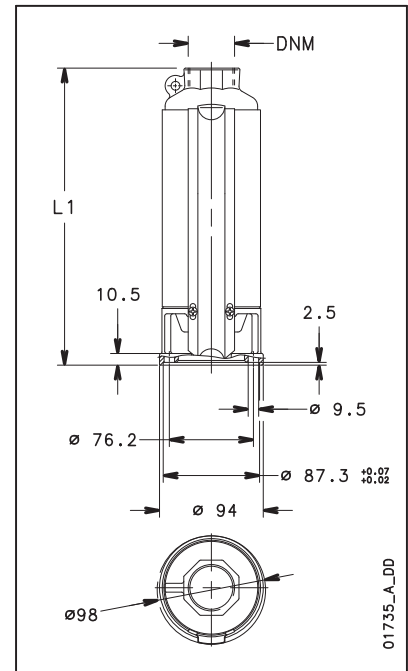
2gs-4os-2p50_a_td

2GS..L4C SERIES – DIMENSIONS AND WEIGHTS

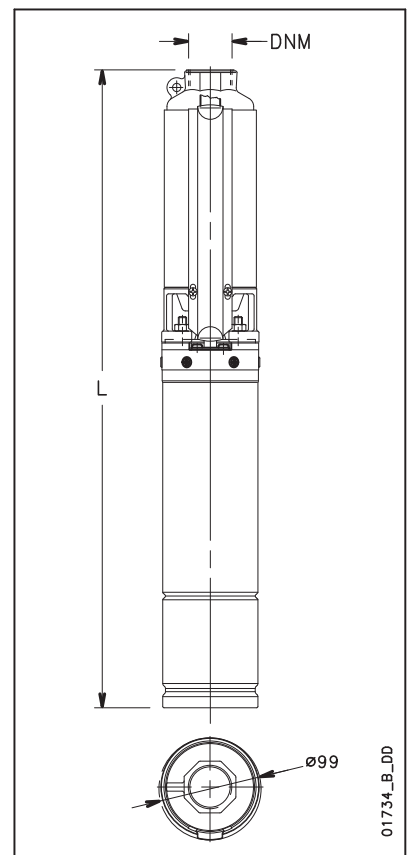
ELECTRIC PUMP TYPE *	NUMBER OF STAGES	DNM	DIMENSIONS (mm)		PUMP WEIGHT kg	ELECTRIC PUMP WEIGHT kg
			L1	L		
			2GS02M-L4C	5		
2GS03M-L4C	7	Rp 1 1/4	280	514	2,9	10,1
2GS05M-L4C	10	Rp 1 1/4	332	596	3,5	11,3
2GS07M-L4C	14	Rp 1 1/4	402	686	4,2	12,6
2GS11M-L4C	20	Rp 1 1/4	507	836	5,3	16,2
2GS15M-L4C	28	Rp 1 1/4	680	1071	7,1	19,8
2GS22M-L4C	40	Rp 1 1/4	914	1325	10,1	24,3
2GS03T-L4C	7	Rp 1 1/4	280	494	2,9	9,9
2GS05T-L4C	10	Rp 1 1/4	332	566	3,5	10,7
2GS07T-L4C	14	Rp 1 1/4	402	666	4,2	12
2GS11T-L4C	20	Rp 1 1/4	507	791	5,3	13,7
2GS15T-L4C	28	Rp 1 1/4	680	1026	7,1	19,1
2GS22T-L4C	40	Rp 1 1/4	914	1305	10,1	22,9
2GS30T-L4C	52	Rp 1 1/4	1120	1662	12,2	32,8

2gs-l4c-2p50_a_td

* Electric pumps over 1500 mm long are supplied uncoupled.
Motor and pump are packed separately.



01735_A_DD



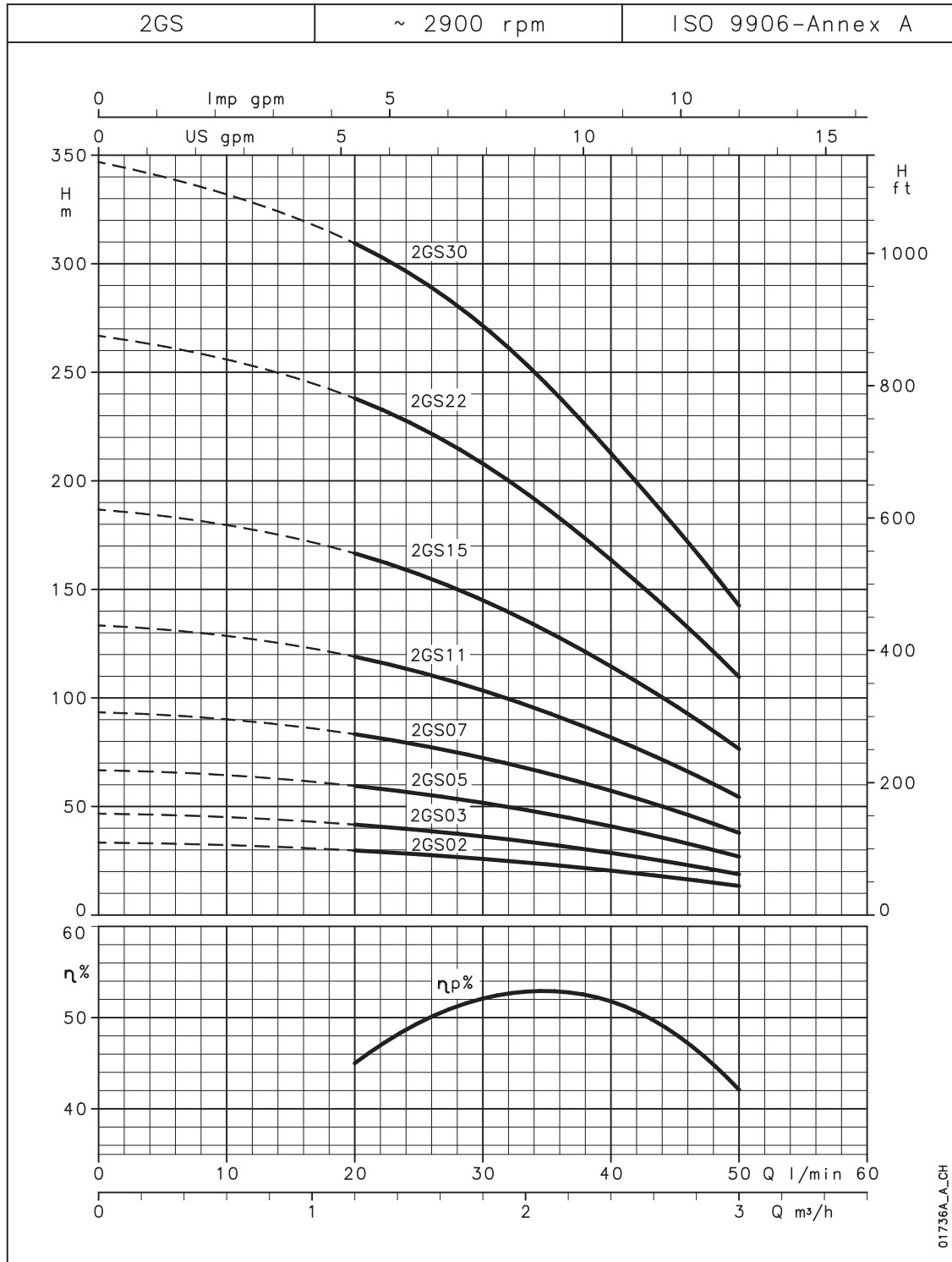
01734_B_DD



General Catalogue

2GS SERIES

OPERATING CHARACTERISTICS AT 50 Hz



These performances are valid for liquids with density $\rho = 1.0 \text{ kg/dm}^3$ and kinematic viscosity $\nu = 1 \text{ mm}^2/\text{s}$.

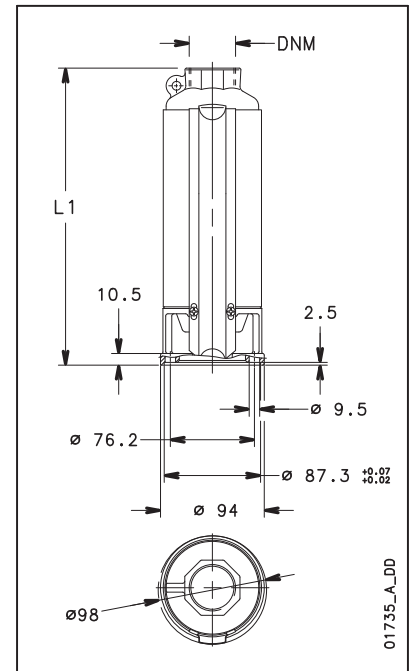
Engineered for life



General Catalogue

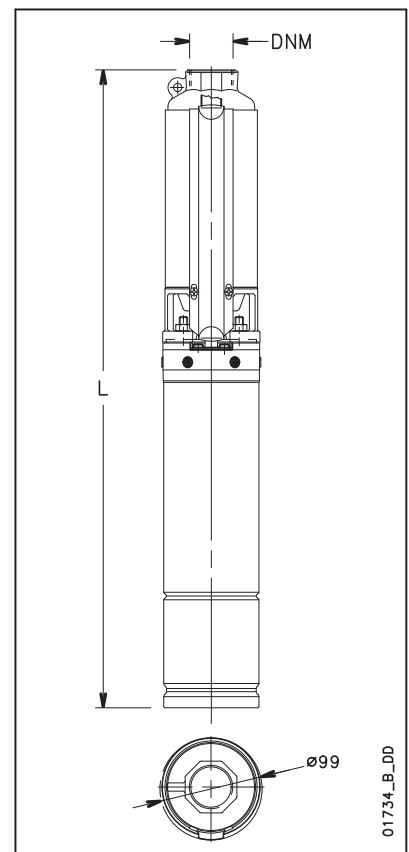
4GS SERIES – HYDRAULIC PERFORMANCE TABLE AT 50 Hz

PUMP TYPE	NUMBER OF STAGES	RATED POWER		Q = DELIVERY						
				l/min	0	30	40	60	80	90
				m ³ /h	0	1,8	2,4	3,6	4,8	5,4
				H = TOTAL HEAD IN COLUMN OF WATER (METRES)						
4GS03M	4	0,37	0,5	27	24	23	19	13	9	
4GS05M	7	0,55	0,75	47	42	40	33	22	15	
4GS07M	9	0,75	1	60	54	51	42	28	19	
4GS11M	14	1,1	1,5	94	84	80	66	44	30	
4GS15M	19	1,5	2	127	114	108	89	60	40	
4GS22M	27	2,2	3	181	162	154	127	85	57	
4GS30T	35	3	4	228	204	194	160	107	72	
4GS40T	48	4	5,5	321	288	274	226	151	102	



4GS..40S SERIES – DIMENSIONS AND WEIGHTS

ELECTRIC PUMP TYPE *	NUMBER OF STAGES	DNM	DIMENSIONS (mm)		PUMP WEIGHT kg	ELECTRIC PUMP WEIGHT kg
			L1	L		
4GS03M-4OS	4	Rp 1 1/4	245	598	2,5	10,1
4GS05M-4OS	7	Rp 1 1/4	309	662	3,1	11,3
4GS07M-4OS	9	Rp 1 1/4	352	730	3,5	12,8
4GS11M-4OS	14	Rp 1 1/4	460	873	4,6	15,8
4GS15M-4OS	19	Rp 1 1/4	568	1016	5,7	18,5
4GS22M-4OS	27	Rp 1 1/4	770	1268	7,6	22,7
4GS03T-4OS	4	Rp 1 1/4	245	577	2,5	9,6
4GS05T-4OS	7	Rp 1 1/4	309	662	3,1	10,7
4GS07T-4OS	9	Rp 1 1/4	352	705	3,5	11,7
4GS11T-4OS	14	Rp 1 1/4	460	838	4,6	13,9
4GS15T-4OS	19	Rp 1 1/4	568	981	5,7	17,1
4GS22T-4OS	27	Rp 1 1/4	770	1218	7,6	20,5
4GS30T-4OS	35	Rp 1 1/4	967	1415	9,6	23,5
4GS40T-4OS	48	Rp 1 1/4	1248	1816	12,8	30,6



4GS..L4C SERIES – DIMENSIONS AND WEIGHTS

ELECTRIC PUMP TYPE *	NUMBER OF STAGES	DNM	DIMENSIONS (mm)		PUMP WEIGHT kg	ELECTRIC PUMP WEIGHT kg
			L1	L		
4GS03M-L4C	4	Rp 1 1/4	245	479	2,5	9,7
4GS05M-L4C	7	Rp 1 1/4	309	573	3,1	10,9
4GS07M-L4C	9	Rp 1 1/4	352	636	3,5	11,9
4GS11M-L4C	14	Rp 1 1/4	460	789	4,6	15,5
4GS15M-L4C	19	Rp 1 1/4	568	959	5,7	18,4
4GS22M-L4C	27	Rp 1 1/4	770	1181	7,6	21,8
4GS03T-L4C	4	Rp 1 1/4	245	459	2,5	9,5
4GS05T-L4C	7	Rp 1 1/4	309	543	3,1	10,3
4GS07T-L4C	9	Rp 1 1/4	352	616	3,5	11,3
4GS11T-L4C	14	Rp 1 1/4	460	744	4,6	13
4GS15T-L4C	19	Rp 1 1/4	568	914	5,7	17,7
4GS22T-L4C	27	Rp 1 1/4	770	1161	7,6	20,4
4GS30T-L4C	35	Rp 1 1/4	967	1509	9,6	30,2
4GS40T-L4C	48	Rp 1 1/4	1248	1860	12,8	36,5

* Electric pumps over 1500 mm long are supplied uncoupled. Motor and pump are packed separately.

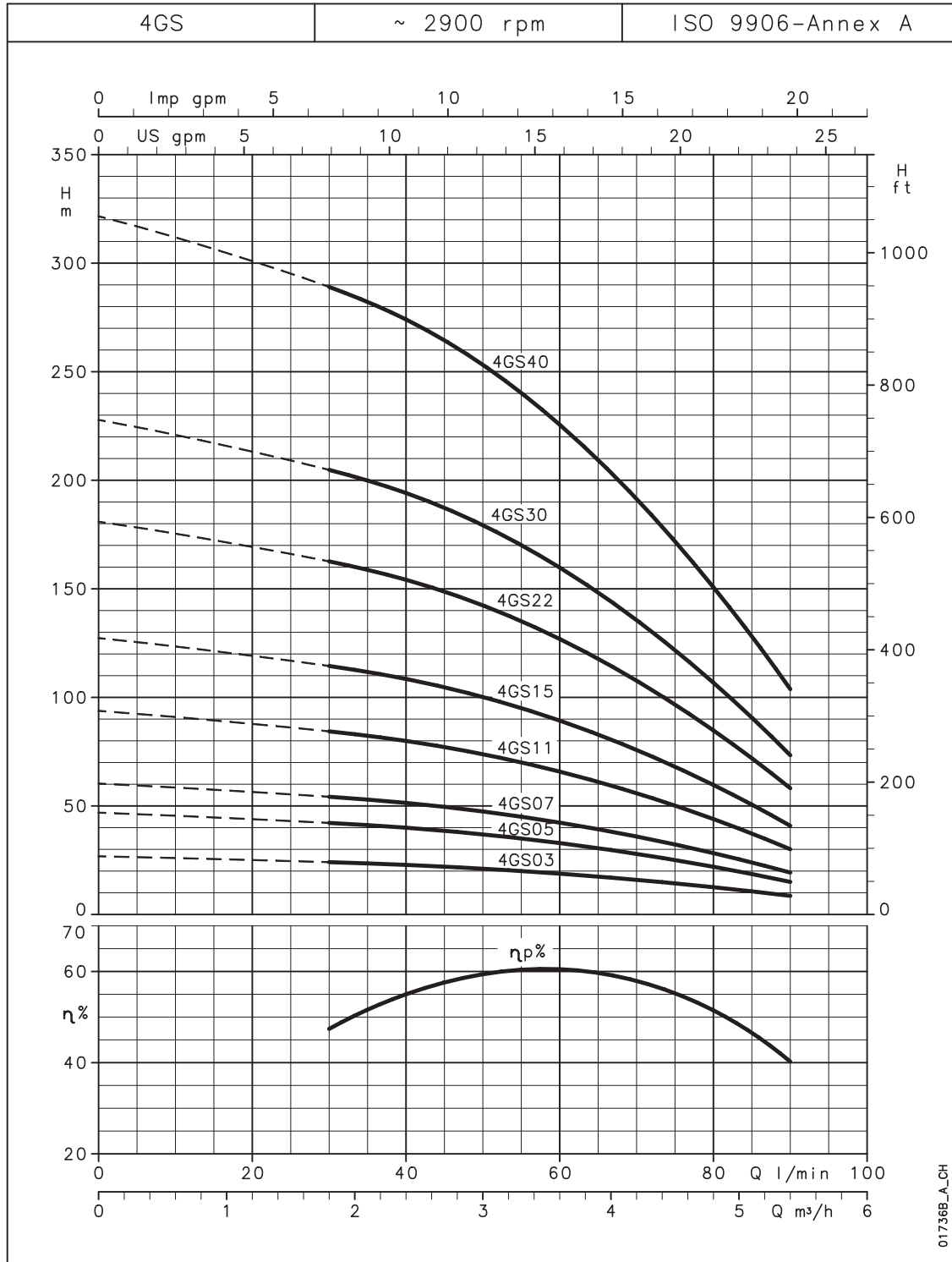
Engineered for life



General Catalogue

4GS SERIES

OPERATING CHARACTERISTICS AT 50 Hz



These performances are valid for liquids with density $\rho = 1.0 \text{ kg/dm}^3$ and kinematic viscosity $\nu = 1 \text{ mm}^2/\text{s}$.

Engineered for life



General Catalogue

6GS SERIES – HYDRAULIC PERFORMANCE TABLE AT 50 Hz

PUMP TYPE	NUMBER OF STAGES	RATED POWER		Q = DELIVERY							
				l/min	0	50	70	90	110	133	
				m ³ /h	0	3	4,2	5,4	6,6	8	
				H = TOTAL HEAD IN COLUMN OF WATER (METRES)							
		kW	HP								
6GS05	5	0,55	0,75	30,5	25,8	23	21	17	11,5		
6GS07	7	0,75	1	42,7	36,1	33	29	24	16,1		
6GS11	10	1,1	1,5	61	51,6	47	41	34	23		
6GS15	14	1,5	2	85,4	72,2	66	58	48	32,2		
6GS22	21	2,2	3	128	108	99	87	71	48,3		
6GS30	29	3,0	4	177	150	136	120	99	66,7		
6GS40	38	4,0	5,5	232	196	179	157	129	87,4		
6GS55	52	5,5	7,5	317	268	244	215	177	120		

6gs-2p50_b_th

6GS..40S SERIES – DIMENSIONS AND WEIGHTS

ELECTRIC PUMP TYPE *	NUMBER OF STAGES	DNM	DIMENSIONS (mm)		PUMP WEIGHT kg	ELECTRIC PUMP WEIGHT kg
			L1	L		
			6GS05M-40S	5		
6GS07M-40S	7	Rp 1 1/4	390	768	4,2	13,5
6GS11M-40S	10	Rp 1 1/4	485	898	5,1	16,3
6GS15M-40S	14	Rp 1 1/4	645	1093	6,8	19,6
6GS22M-40S	21	Rp 1 1/4	862	1360	9,1	24,2
6GS05T-40S	5	Rp 1 1/4	329	682	3,5	11,1
6GS07T-40S	7	Rp 1 1/4	390	743	4,2	12,4
6GS11T-40S	10	Rp 1 1/4	485	863	5,1	14,4
6GS15T-40S	14	Rp 1 1/4	645	1058	6,8	18,2
6GS22T-40S	21	Rp 1 1/4	862	1310	9,1	22
6GS30T-40S	29	Rp 1 1/4	1127	1575	11,8	25,7
6GS40T-40S	38	Rp 1 1/4	1406	1974	14,7	32,5
6GS55T-40S	52	Rp 1 1/4	1840	2468	19,3	40,6

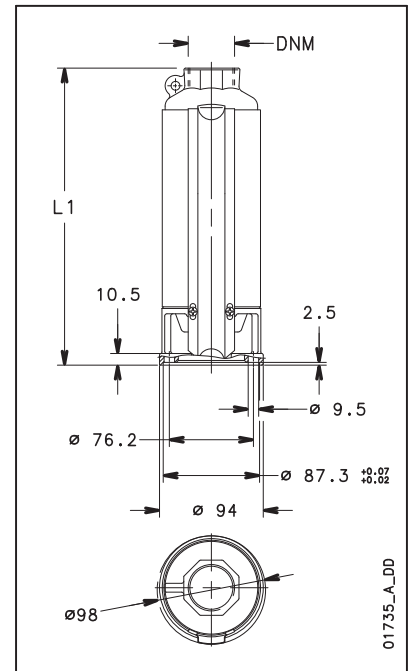
6gs-40s-2p50_a_td

6GS..L4C SERIES – DIMENSIONS AND WEIGHTS

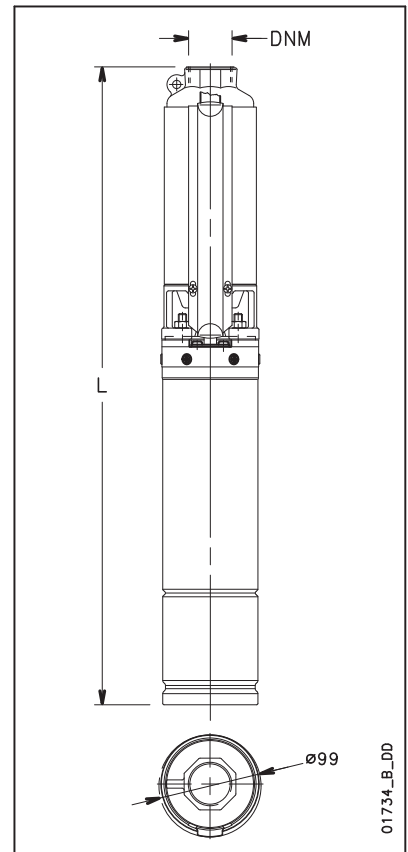
ELECTRIC PUMP TYPE *	NUMBER OF STAGES	DNM	DIMENSIONS (mm)		PUMP WEIGHT kg	ELECTRIC PUMP WEIGHT kg
			L1	L		
			6GS05M-L4C	5		
6GS07M-L4C	7	Rp 1 1/4	390	674	4,2	12,6
6GS11M-L4C	10	Rp 1 1/4	485	814	5,1	16
6GS15M-L4C	14	Rp 1 1/4	645	1036	6,8	19,5
6GS22M-L4C	21	Rp 1 1/4	862	1273	9,1	23,3
6GS05T-L4C	5	Rp 1 1/4	329	563	3,5	10,7
6GS07T-L4C	7	Rp 1 1/4	390	654	4,2	12
6GS11T-L4C	10	Rp 1 1/4	485	769	5,1	13,5
6GS15T-L4C	14	Rp 1 1/4	645	991	6,8	18,8
6GS22T-L4C	21	Rp 1 1/4	862	1253	9,1	21,9
6GS30T-L4C	29	Rp 1 1/4	1127	1669	11,8	32,4
6GS40T-L4C	38	Rp 1 1/4	1406	2018	14,7	38,4
6GS55T-L4C	52	Rp 1 1/4	1840	2522	19,3	46,3

6gs-l4c-2p50_a_td

* Electric pumps over 1500 mm long are supplied uncoupled. Motor and pump are packed separately.



01735_A_DD



01734_B_DD

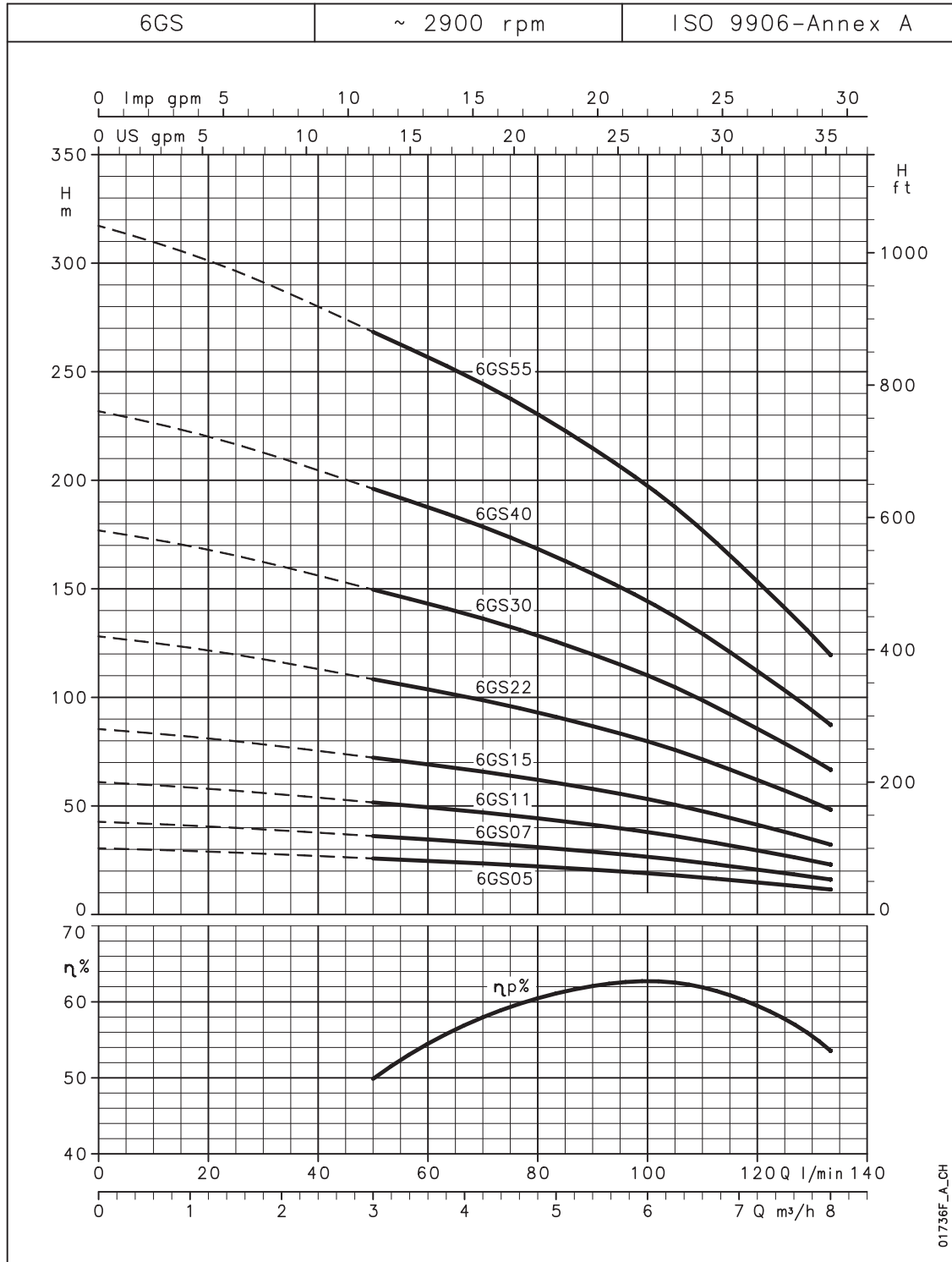
Engineered for life



General Catalogue

6GS SERIES

OPERATING CHARACTERISTICS AT 50 Hz



These performances are valid for liquids with density $\rho = 1.0 \text{ kg/dm}^3$ and kinematic viscosity $\nu = 1 \text{ mm}^2/\text{s}$.

Engineered for life