



APPLICATIONS

Used in conjunction with Deep Well injector kits, these pumps are ideal for supplying high pressure water from bores to 42m depth for:

- > Water supply
- > Tank filling
- > Stock watering
- > Sprinkler supply

Pumps can also be used in applications where pump needs to be horizontally offset from the water supply.



Deep Well Jet Pump

Model Numbers: 095D, 125D, 165D

Rugged, reliable single stage centrifugal pumps with deep well injectors, driven by Davey's TEFC motor. Pump fitted with pressure switch for easy conversion to automatic operation. Automatic demand response valve fitted as standard to protect against loss of prime from over pumping.

WHY CHOOSE THE DAVEY DEEP WELL JET PUMP?

- High TEFC - IP rating for long term protection against vermin, dust and water
- Manufactured from quality corrosion resistant materials
- Pump casing made from marine grade aluminium for high tensile strength, with a unique internal Rilsan® casing injection moulded for wet areas, providing outstanding resistance to aggressive water
- Versatile pump - convertible to match different suction lifts
- Easily converted to automatic or manual operation
- Pumping system can be used for 'offset' installations
- Automatic Demand Response (ADR) fitted to provide peak performance and loss of prime discharge shut down
- 165D available with 3 phase motor
- Low maintenance
- O-ring seal hand tightened priming plug for easy operation

PUMP

- Single stage jet assisted centrifugal*
- Marine grade aluminium pump body with Rilsan® lining
- ADR valve fitted
- Pressure switch fitted
- Pressure gauge supplied

MOTOR

- Davey manufactured
- 2 pole, 2900rpm, 50Hz
- Class F insulation, IP56
- Permanently split, P2 metal jacket 'fail safe' capacitors designed for single phase motors
- Double contact seal C3, high temperature greased bearings
- Inbuilt thermal overload protection with automatic reset in all 1Ø models

*Note: Pump requires correctly installed and selected Deep Well Injector Kit to operate as per the included performance data.

INSTALLATION & PRIMING

- To prime, fill pump body, suction and pressure pipes and injector through priming plug hole and replace plug.

Note:

For complete details consult the installation and operating instructions.

OPERATING LIMITS

Model	095D	125D	165D
Maximum capacity (@140kPa, 6m suction) lpm	85	96	122
Maximum water temperature	50°C		
Minimum water temperature	1°C		
Outlet size	1 1/2" BSP(F)		
Suction pipe sizes	Refer injector kit		

MATERIALS OF CONSTRUCTION

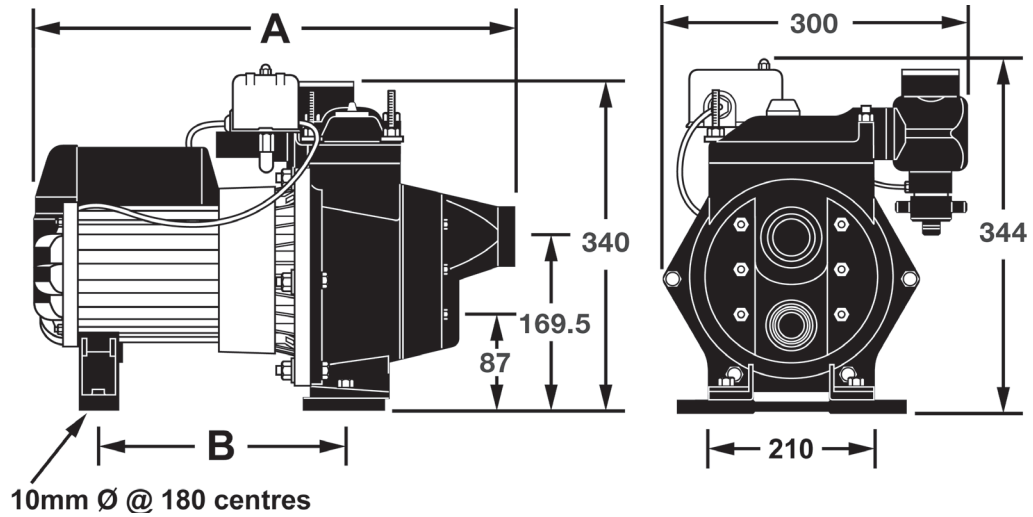
PART	MATERIAL
Suction cover	Aluminium-Rilsan® lined
Pump body	Aluminium-Rilsan® lined
Discharge port	Aluminium-Rilsan® lined
Diffuser	Glass filled Noryl
Backplate	Glass filled Noryl
Impeller	Glass filled polycarbonate
Seal ring (stationary)	Ceramic
Seal ring (rotating)	Carbon
O-rings	Nitrile rubber
Priming plug	Nylon
Shaft	304 stainless steel
Motor shell	Aluminium
Motor shell finish	Polyester powder coat
Capacitor cover	Polypropylene
Terminal box cover	Polypropylene
Mounting feet	Xenoy®

ELECTRICAL DATA

	095D	125D	165D
Supply voltage (1Ø)	220-240		
Supply voltage (3Ø)	N/A	N/A	380-450
Output power (kW)	1.1	1.4	1.8
Maximum rated current (A) @ 240V / 415V	7.2	8.5	10/4.2
Locked rotor current (A) @ 240V / 415V	21	25	39/24
Insulation class	F		
IP rating	IP56		
Starting (1Ø)	P.S.C.		

DIMENSIONS (MM)

Model	A	B	Inlet B.S.P.		Outlet B.S.P.	Net Weight (kg)
			Drive	Suction		
095D	485	212	1¼"	1½"F	1¼"F	19.8
125D	505	232	1¼"	1½"F	1¼"F	22.6
165D	505	232	1¼"	1½"F	1¼"F	22.6



INJECTOR OD (MAX.)

Type	To Suit	Max. OD
23100	Nominal 4" Bore	85
23125	Nominal 5" Bore	111

All dimensions in mm unless otherwise stated.

