

SUBMERSIBLE DRAINAGE PUMPS

Model Numbers: D10A, D15A, D25A,
D40A & D40M

DEPEND ON
DAVEY

WATER PRODUCTS



SUMP PUMPS

PRODUCT DESCRIPTION

Portable electric submersible drainage pumps up to 400W nominal output.

APPLICATIONS

- Dewatering of cellars, garages, ditches, pits & ponds
- Pumping clean or slightly dirty water
- Sump emptying
- Decorative water features

"A" suffix models equipped with preset length float switch for automatic operation

FEATURES & BENEFITS

Open impeller, centrifugal design

- Able to pump small soft solids in suspension
- Less susceptible to blockage

Double mechanical shaft seal in oil bath with hard faced silicon carbide / ceramic seal on pump side (D10 & D15 models have single seals)

- Added motor protection
- Long service life

Sand slinger lip seal

- Added protection
- Long service life

Corrosive resistant 304 stainless steel motor shell and strainer

- Long service life
- Attractive, lasting appearance

High quality paint finish

- Long service life
- Attractive lasting appearance

Automatic resetting thermal overload

- Protected against overloading

HO7RNF oil resistant leads, 10 metres long with 3 pin power plug

- Easy to connect to power supply
- Longer life in dirty water

OPERATING LIMITS

Capacities to	240lpm
Max. total head	12m
Max. submergence	10m
Max. operating temperature	50°C

Suitable Fluids :

Sewage or "grey water" of neutral pH containing up to 10% of small soft organic solids (<10mm OD). Some accelerated wear should be expected while pumping hard solids in suspension.

TECHNICAL SPECIFICATIONS

MATERIALS OF CONSTRUCTION

PART	MATERIAL
Motor top	Polycarbonate (D10/15) Cast iron (D25/40)
Pump body	Cast iron
Motor shell	304 stainless steel
Strainer	304 stainless steel
Impeller	Polycarbonate (D10/15) Cast iron (D25/40)
Lip ring	Nitrile
Mechanical seal	Silicon carbide/ceramic in oil bath w/- oil seal Carbon/ceramic on motor side (D25/40)
Seal & bottom bearing housing	Cast iron
Handle	304 stainless steel
Fasteners	304 stainless steel
Float & power supply leads	H07RN-F oil resistant

ELECTRICAL DATA

Supply voltage / Hz	240/50Hz single phase			
Cable length (m)	10			
Output (watts)	100	150	250	400
Start (Amps)	6.0	9.0	12.0	10.5
Run (Amps)	1.0	1.5	2.2	3.7
Speed	2 pole, 2850rpm			
Insulation class	F			
IP rating	X8			
Starting	P.S.C.			

INSTALLATION & PRIMING

Use a rope to position and retrieve the pump. Do not lower or retrieve the pump using the power lead as this may damage the cable entry seals, causing water leaks and unsafe operation.

Don't use this product for recirculating or filtering swimming pools, spas, etc. While these pumps are built to high safety standards, they are not approved for installations where people will be in the water while they are operating.

Don't pump abrasive materials. Sand and grit in the water being pumped will accelerate wear, causing shortened pump life.

Keep your pump clean, particularly in situations where lint, hair or fibrous materials may get bound around the pump shaft. Regular inspection and cleaning will extend pump life.

Make room for the float switch to operate. Automatic models have a float switch to turn them on when the water level rises and turn them off again when it has been pumped down to the safe operating level of the pump. If the float switch is not free to rise and fall, correct pump operation may not be possible.

Don't run your pump dry. Non-automatic models must be switched off manually or by way of an external float/level switch when the water level is reduced to the top of the pump housing.

This literature is not a complete guide to product usage. Further information is available from your Davey dealer, Davey Customer Service Centre and from the relevant product installation and Operating Instructions. This data sheet must be read in conjunction with the relevant product Installation and Operating Instructions and all applicable statutory requirements. Product specifications may change without notice.

© Davey is a registered trademark of Davey Products Pty Ltd. © Davey Products Pty Ltd 1994.

DEPEND ON
DAVEY

WATER PRODUCTS

Davey Products Pty Ltd

Member of the GUD Holdings Ltd Group
ABN 18 066 327 517
Head Office and Manufacturing
6 Lakeview Drive,
Scoresby, Australia 3179
Ph: +61 3 9730 9222
Fax: +61 3 9753 4100
Website: www.davey.com.au
Customer Service Centre
Ph: 1300 367 866
Fax: 1300 369 119
E-mail: sales@davey.com.au
Interstate Offices
Sydney - Brisbane - Adelaide
Perth - Townsville

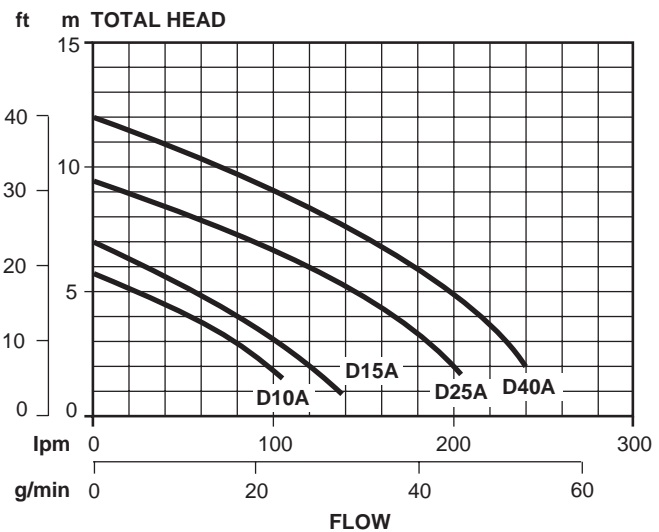
International
6 Lakeview Drive,
Scoresby, Australia 3179
Ph: +61 3 9730 9121
Fax: +61 3 9753 4248
E-mail: export@davey.com.au

Germany
Kantstrasse 47,
04275 Leipzig
Ph: +49 341 301 0412
Fax: +49 341 301 0413
E-mail: akrenz@daveyeurope.com

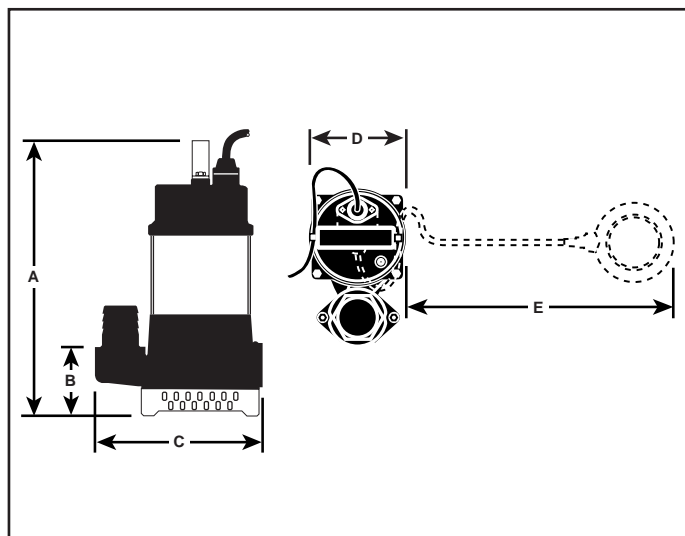
New Zealand
2 Rothwell Avenue,
North Harbour, Auckland 1330
Ph: +64 9 914 3680
Fax: +64 9 914 3685
Website: www.daveynz.co.nz
E-mail: sales@daveynz.co.nz

USA - Davey Pumps Inc.
1005 N. Commons Drive
Aurora, Illinois 60504
Ph: +1 630 898 6976
Fax: +1 630 851 7744
Website: www.daveyusa.com
E-mail: sales@daveyusa.com

HYDRAULIC PERFORMANCE



DIMENSIONS



Model	A	B	C	D	E	Outlet	Weight (kg)
D10A	300	60	160	115	260	1 1/4" F	5
D15A	320	60	160	115	260	1 1/4" F	5.5
D25A	370	85	225	145	290	1 1/2" F	9
D40A	430	85	225	145	290	2" F	11

All dimensions in mm unless otherwise stated.



Visit Davey on-line for further information
www.davey.com.au