

TAVLIT Filters

TAVLIT offers a range of disc and screen filters.

Applications:

- Water filtration for AG, Turf.
- Domestic and industrial application.

Features:

- Easy maintenance.
- Unique: Swivel quick installation.
- Chemical and fertilizer resistant.
- Interchangeable filtration elements:
Disc and Screen elements fit same filter body.



Disc Filter

Technical Specifications

- Max. Working pressure: 10 bar (140 psi).
- Threads: B.S.P.T or N.P.T.
- Available Sizes: 20-50 mm (3/4"-2").
- Flow rates: 3-20 m³/hr. (13-88 gpm).
- Filtration elements: Disc / Nylon and stainless steel screen.
- Filtration range: 40-200 mesh.
- All Filters are available in male and swivel connections.



Screen Filter

Technical Data

Metric units:

Model	20 mm (3/4")	25 mm (1")	40 mm (1 1/2")	50 mm (2")
Flow rate (m ³ /h)	3	5	15	20
Screen Filter Area (cm ²)	96	96	552	670
Disc Filter Area (cm ²)	180	180	385	488
Nylon Screen Mesh Range	40-200	40-200		
Stainless Steel Mesh Range	80-200	80-200	80-200	80-200
Disc Mesh Range	80-140	80-140	40-140	40-140
Weight with screen (kg)	0.21	0.21	1.1	1.13
Weight with discs (kg)	0.3	0.3	1.35	1.5

US Units:

Model	3/4"	1"	1 1/2"	2"
Flow rate (gpm)	13	22	66	89
Screen Filter Area (inch ²)	14.90	14.90	85.60	104
Disc Filter Area (inch ²)	27.90	27.90	59.70	75.60
Nylon Screen Mesh Range	40-200	40-200		
Stainless Steel Mesh Range	80-200	80-200	80-200	80-200
Disc Mesh Range	80-140	80-140	40-140	40-140
Weight with screen (lb)	0.46	0.45	2.4	2.5
Weight with discs (lb)	0.66	0.66	3	3.3

Element Type and Mesh color code

Mesh/Micron	40/425	80/200	120/120	140/105	155/90	200/70
Polyester Screen						
Stainless Steel Screen						
Discs						

Mesh Count per Square inch.

Microns in approximate values and may vary between element types

Head loss at 120 mesh in meters, 0.1 bar (psi)

Screen Filters:

Flow Rate	3/4" (20 mm)	1" (25 mm)
m ³ /h (gpm)	meter, 0.1 Bar (psi)	
1 (4.4)	0.05 (0.07)	0.02 (0.03)
2 (8.8)	0.11 (0.16)	0.06 (0.09)
3 (13.2)	0.17 (0.25)	0.10 (0.15)
4 (17.6)	0.30 (0.44)	0.18 (0.26)
5 (22.0)	0.47 (0.68)	0.30 (0.44)
6 (26.4)	0.70 (1.02)	0.45 (0.65)

Flow Rate	1 1/2" (40 mm)	2" (50 mm)
m ³ /h (gpm)	meter, 0.1 Bar (psi)	
5 (22.0)	0.30 (0.44)	
6 (26.4)	0.4 (0.58)	
7 (31.0)	0.6 (0.87)	0.30 (0.44)
8 (35.2)	0.8 (1.16)	0.35 (0.51)
9 (26.4)	0.95 (1.38)	0.5 (0.73)
10 (44.0)	1.2 (1.74)	0.65 (0.94)
12 (53.0)	1.4 (2.0)	0.8 (1.16)
14 (61.6)	1.7 (2.47)	1.0 (1.45)
16 (70.4)	2.2 (3.19)	1.3 (1.89)
18 (79.2)	2.8 (4.06)	1.6 (2.32)
20 (88.0)	3.5 (5.08)	2.0 (2.90)

Head loss at 120 mesh in meters, 0.1 bar (psi)

Disc Filters:

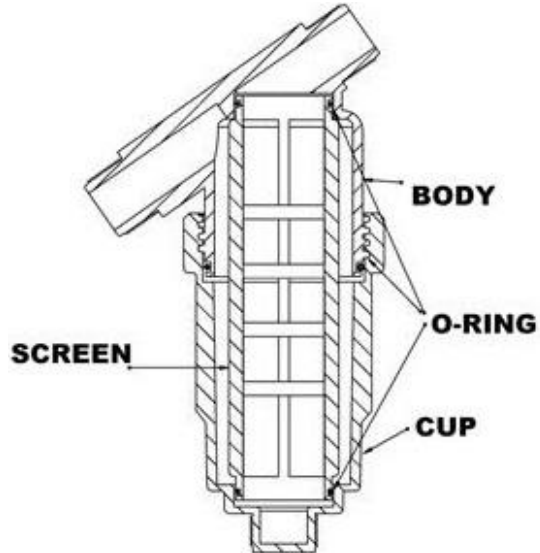
Flow Rate m ³ /h (gpm)	3/4" (20 mm) meter, 0.1 Bar (psi)	1" (25 mm) meter, 0.1 Bar (psi)
1 (4.4)	0.07 (0.10)	
2 (8.8)	0.2 (0.29)	0.1 (0.15)
3 (13.2)	0.4 (0.58)	0.2 (0.29)
4 (17.6)	0.64 (0.93)	0.3 (0.44)
5 (22.0)	1.0 (1.45)	0.5 (0.73)
6 (26.4)		0.82 (1.19)

Flow Rate m ³ /h (gpm)	1 1/2" (40 mm) meter, 0.1 Bar (psi)	2" (50 mm) meter, 0.1 Bar (psi)
2 (8.8)	0.1 (0.15)	
3 (13.2)	0.2 (0.29)	0.1 (1.15)
4 (17.6)	0.35 (0.51)	0.24 (0.35)
5 (22.0)	0.45 (0.65)	0.38 (0.55)
6 (26.4)	0.8 (1.16)	0.5 (0.73)
7 (31.0)	1.1 (1.60)	0.7 (1.0)
8 (35.2)	1.5 (2.18)	0.95 (1.38)
9 (40.0)	1.9 (2.76)	1.25 (1.81)
10 (44.0)	2.2 (3.19)	1.55 (2.25)
12 (53.0)	2.9 (4.21)	2.0 (2.90)
14 (61.6)	3.7 (5.37)	2.4 (3.48)
16 (70.4)	4.5 (6.53)	3.0 (4.25)
18 (79.2)	6.6 (9.57)	4.3 (6.24)
20 (88.0)	9.0 (13.0)	7.0 (10.15)

Materials

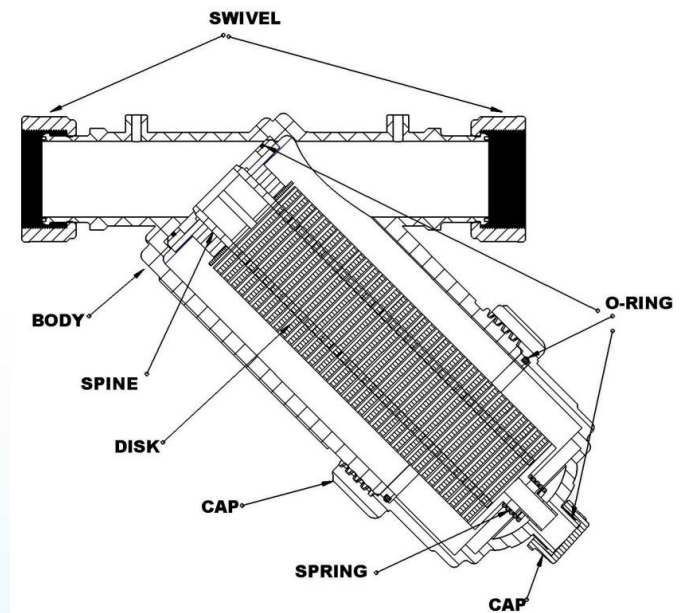
Screen Filters:

- Body: P.P.
- Screen: Stainless steel or Polyester.
- O-Rings: EPDM.



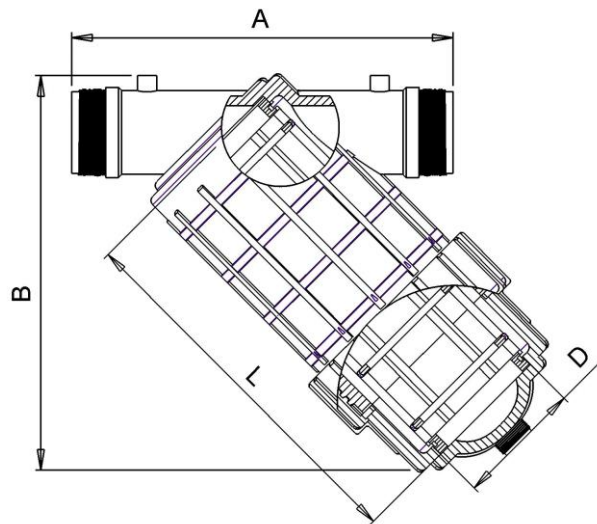
Disc Filters:

- Body: P.P.
- Spin: P.P.
- Cup: P.P.
- Disk: P.P.
- Sleeve: P.P.
- Spring: Stainless Steel.
- O-Rings: EPDM.



Physical Dimensions

Physical dimensions	A		B		L		D	
Model	mm	inch	mm	inch	mm	inch	mm	inch
3/4"-1" (20-25 mm)	121	4.76	160	6.30	153	6.00	31	1.22
1 1/2" (40 mm)	257	10.10	240	9.45	220	8.70	80	3.15
2" (50 mm)	257	10.10	270	10.60	265	10.40	80	3.15



On Line Filter Connections



M/F Swivel Filter Connector



On Line Filter Female/Barb Adaptor