



Stainless Steel Pumps

Model OPTIMA

Domestic Submersible Sump Pumps

Optima MA
Automatic pump with Float Switch

With Mechanical Seal



Specifications

- Submersible pump with semi open impeller
- Maximum solids handling 10 mm
- Maximum liquid temperature: 50°C
- Maximum submergence: 5m

Materials

- Pump casing: 304 Stainless Steel
- Impeller: Thermo plastic (PPE + glass fibre)
- Outer casing: 304 Stainless Steel
- Shaft : 303 Stainless Steel
- Motor frame: 304 Stainless Steel
- Motor Cap: Polypropylene
- Fasteners: 304 Stainless Steel
- Seal: Carbon/Ceramic Mechanical Seal in oil lubricated chamber, Upper Lip Seal

Motor Data

- Air filled, dry submersible, 2 pole motor
- Insulation class F
- Ipx8 protection
- 50 Hz, 1 phase, 240 Volt
- In built overload protection

Cable

- 5 m of cable (with plug)

Range

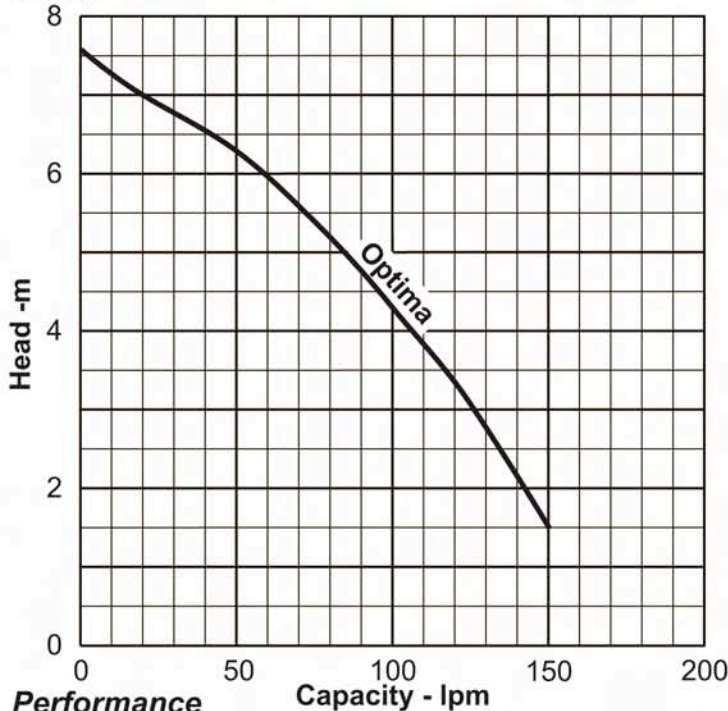
- 32mm discharge
- 0.25 kW motor
- Single phase, automatic or manual versions
- Magnetic Switch version available

Options

Domestic sump pump manufactured in stainless steel and thermo plastics with a mechanical seal. Suitable for many light dewatering applications including:-

- draining wells, basements, cellars, etc.
- emptying of tanks & drums
- general transfer of clean water.

Performance Curve



Performance Table

Pump Model	Motor Output	Discharge Ø mm	Power Supply	Full Load Current	Capacitor (1Phase models only)	Q= Capacity - litres/min							
						0	20	50	75	100	125	150	
Optima	0.25 kW	32 mm	240V, 50Hz, 1Ph	1.9 A	8µF	7.6	7.0	6.3	5.4	4.3	3.1	1.5	



Optima MS
Automatic pump with Magnetic Switch



Optima M
Manual Pump

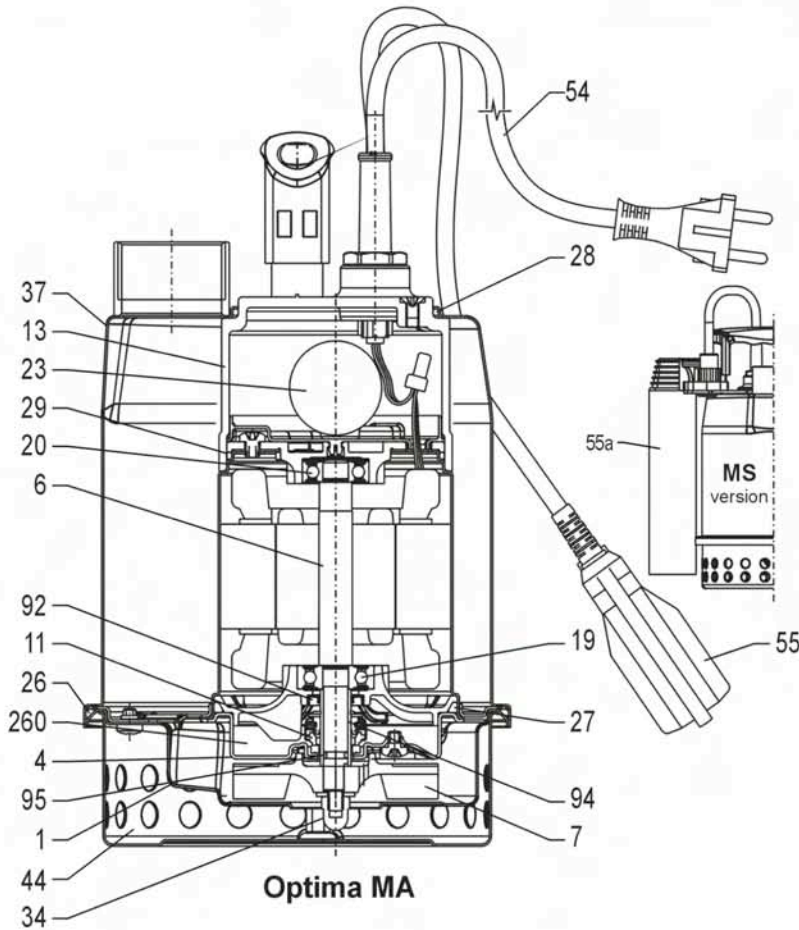


Low level suction "skirt" (down to 3mm)



Sectional Drawing

Model OPTIMA



Item Number	Description	Material	Quantity per unit
1	Casing	AISI 304 Stainless Steel	1
4	Casing Cover	AISI 304 Stainless Steel	1
6	Shaft with rotor #	AISI 303 Stainless Steel	1
7	Impeller	Glass reinforced PPE	1
11	Mechanical Seal	Carbon/Ceramic/NBR	1
13	Motor Cover	PP Polypropylene	1
19	Lower Bearing	Sealed Ball Bearing	1
20	Upper Bearing	Sealed Ball Bearing	1
23	Capacitor		1
26	O' Ring	NBR Rubber	1
27	O' Ring	NBR Rubber	1
28	O' Ring	NBR Rubber	1
29	O' Ring	NBR Rubber	1
34	Impeller Nut	AISI 303 Stainless Steel	1
37	Outer Casing	AISI 304 Stainless Steel	1
44	Strainer	AISI 304 Stainless Steel	1
54	Submersible Power Cable		1
55	Float Switch (for MA version only)		1
55a	Float Switch (for MS version only)		1
92	Lip Seal	NBR Rubber	1
94	Shaft Sleeve	Ceramic coated 303 SS	1
95	O' Ring	NBR Rubber	1
260	Oil	Esso MARCOL 172	40cc

refers to pump side of shaft material

Dimensions

Model OPTIMA

Units: mm unless otherwise specified

