



Position	Qty.	Description
----------	------	-------------

1 JP RAIN 4 + PMR



Note! Product picture may differ from actual product

Product No.: [98096983](#)

The Grundfos PM Rain is an interconnect device that allows you to utilize harvested rainwater for toilet, laundry and garden applications, with the added benefit of mains water back-up.

The PM Rain is used together with a Grundfos pump. The pump is only started when rainwater is being drawn from the rainwater collecting tank. It does not operate when switched to mains water supply.

The PM Rain automatically starts when a water demand is detected, for example the flushing of a toilet or filling of a washing machine, and will switch over to mains water supply when the rainwater tank is empty or in case of an electrical failure.

The PM Rain eliminates the need for a level sensor in the tank, which drastically reduces installation time and costs.

The JP Rain is a self-priming single-stage centrifugal jet pump with axial suction port and radial discharge port close-coupled with a single-phase motor with thermal overload protection.

**Liquid:**

Pumped liquid: Water  
 Liquid temperature range: 0 .. 35 °C  
 Liquid temp: 20 °C  
 Density: 998.2 kg/m³

**Technical:**

Approvals and markings: C-TICK, WATERMA

**Materials:**

Pump: TECNOPOLYMER  
 Impeller: TECNOPOLYMER

**Installation:**

Maximum ambient temperature: 40 °C  
 Maximum operating pressure: 6 bar  
 Pump outlet: G1"  
 Mains water inlet connect: G3/4"  
 Rainwater inlet connect: G1"  
 Home outlet connect: G3/4"  
 Garden outlet connect: G1"

**Electrical data:**

Maximum power input - P1: 2000 W  
 Maximum current consumption: 4.2 A  
 Power input - P1: 940 kW  
 Rated power - P2: 0.75 kW

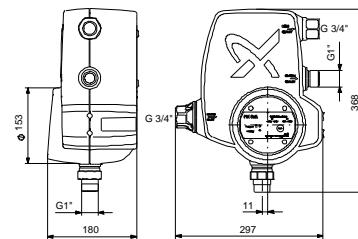
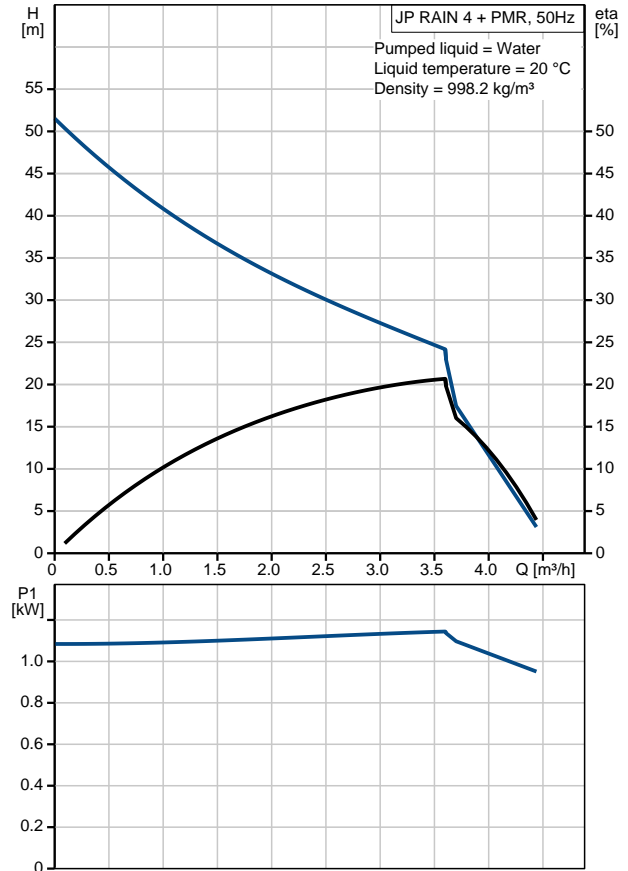


Position	Qty.	Description
		Mains frequency: 50 Hz Rated voltage: 1 x 220-240 V Rated current: 10 A Enclosure class (IEC 34-5): IP65 Insulation class (IEC 85): F Enclosure class pump (IEC 34-5): 44 Pump cable: 1.5 m Type of cable plug: Australian Mains cable: 1.5 m  <b>Others:</b> Net weight: 11.5 kg Gross weight: 12.2 kg



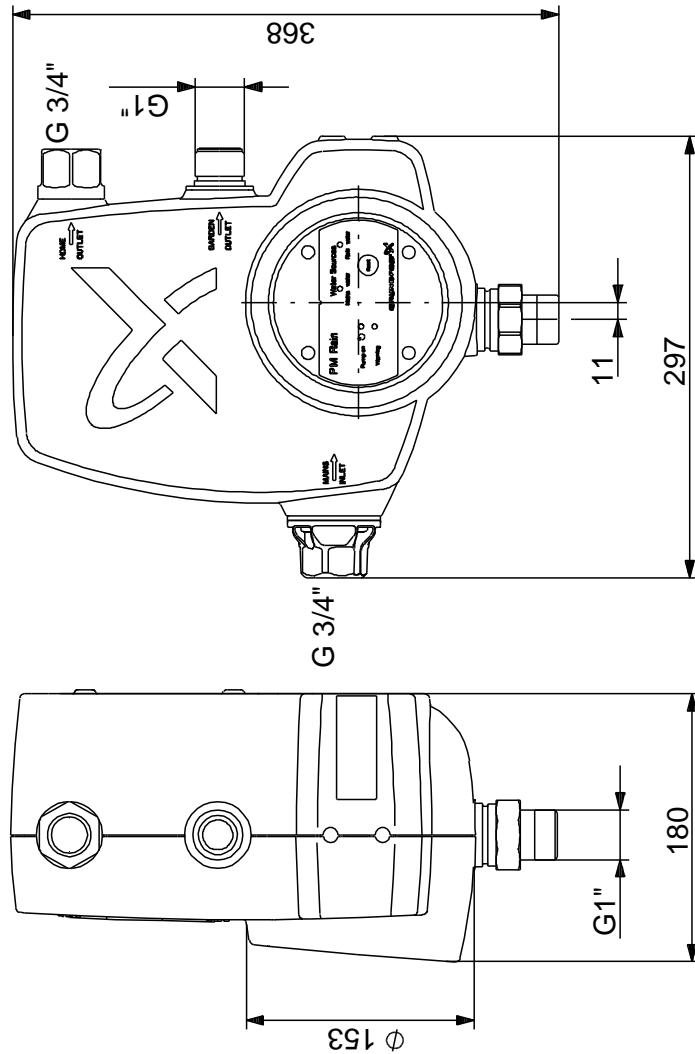
Company name: -  
 Created by: -  
 Phone: -  
 Fax: -  
 Date: -

Description	Value
Product name:	JP RAIN 4 + PMR
Product No:	98096983
EAN number:	5710628955242
<b>Technical:</b>	
Head max:	53.8 m
Approvals and markings:	C-TICK, WATERMA
Non-ret. valve:	YES
<b>Materials:</b>	
Pump:	TECNOPOLYMER
Impeller:	TECNOPOLYMER
<b>Installation:</b>	
Maximum ambient temperature:	40 °C
Maximum operating pressure:	6 bar
Pump outlet:	G1"
Mains water inlet connect:	G3/4"
Rainwater inlet connect:	G1"
Home outlet connect:	G3/4"
Garden outlet connect:	G1"
<b>Liquid:</b>	
Pumped liquid:	Water
Liquid temperature range:	0 .. 35 °C
Liquid temp:	20 °C
Density:	998.2 kg/m <sup>3</sup>
<b>Electrical data:</b>	
Maximum power input - P1:	2000 W
Maximum current consumption:	4.2 A
Power input - P1:	940 kW
Rated power - P2:	0.75 kW
Mains frequency:	50 Hz
Rated voltage:	1 x 220-240 V
Rated current:	10 A
Enclosure class (IEC 34-5):	IP65
Insulation class (IEC 85):	F
Enclosure class pump (IEC 34-5):	44
Motor cable:	0.5 m
Pump cable:	1.5 m
Type of cable plug:	Australian
Mains cable:	1.5 m
<b>Others:</b>	
Net weight:	11.5 kg
Gross weight:	12.2 kg





98096983 JP RAIN 4 + PMR 50 Hz



Note! All units are in [mm] unless others are stated.  
Disclaimer: This simplified dimensional drawing does not show all details.