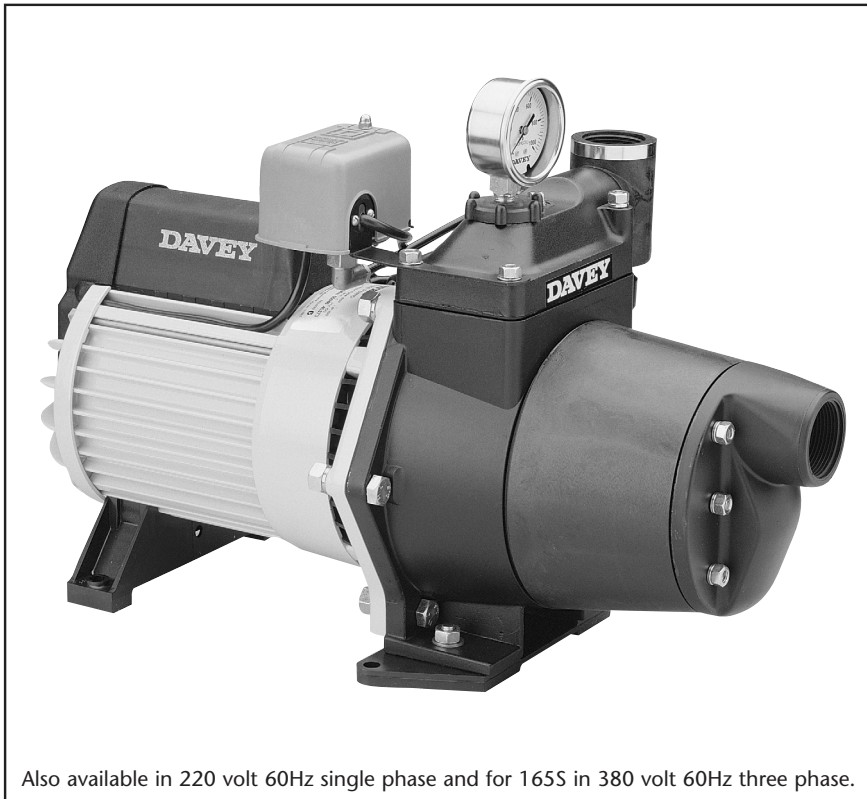


# SHALLOW WELL PRESSURE PUMPS

Model Numbers: 95S, 125S & 165S

DEPEND ON  
**DAVEY**

**WATER PRODUCTS**



Also available in 220 volt 60Hz single phase and for 165S in 380 volt 60Hz three phase.

## SHALLOW WELL JET PUMPS

### PRODUCT DESCRIPTION

Rugged, reliable single stage jet assisted centrifugal pumps driven by Davey's TEFC motor.

Pump fitted with pressure switch for easy conversion to automatic operation.

### APPLICATIONS

Ideal for supplying high pressure water for :-

- Water supply from dams, creeks and rivers
- Tank filling
- Stock watering
- Sprinkler supply

### DESIGN FEATURES

#### PUMP

1 Stage (Single Impeller).  
Jet assisted.

Marine grade aluminium pump body with Rilsan® lining.

Interchangeable jet/venturi kits to match pump performance to required duty.

Pressure switch fitted.

Pressure gauge supplied.

#### MOTOR

Davey manufactured.

2 pole, 2900rpm, 50Hz.

Class F insulation, IP56.

Permanently split capacitor design for 1Ø motors.

Double contact seal C3, high temperature greased bearings.

Inbuilt thermal overload protection with automatic reset in all 1Ø models.

### BENEFITS

- High TEFC - IP rating for long term protection against vermin, dust and water
- Manufactured from quality corrosion resistant materials
- Versatile pump - convertible to match required duty
- Colour coded jets and venturis for easy identification
- Easily converted to automatic operation
- 165S available with 3 phase motor
- Quick and easy installation
- Low maintenance
- Easy to service if required
- Oring sealed hand tightened priming plug for easy operation

### OPERATING LIMITS

	95S	125S	165S
Max. capacity (@ 260kPa, nil suction) lpm	95	126	165
Max. suction head (m)	7.5	7.5	7.5
Max. water temp.	50°C	50°C	50°C
Min. water temp.	1°C	1°C	1°C
Inlet size	1 1/2" BSP(F)		
Outlet size	1 1/4" BSP(F)		

# TECHNICAL SPECIFICATIONS

## MATERIALS OF CONSTRUCTION

PART	MATERIAL
Suction cover	Aluminium-Rilsan® lined
Pump body	Aluminium-Rilsan® lined
Discharge port	Aluminium-Rilsan® lined
Diffuser	Glass filled Noryl
Backplate	Glass filled Noryl
Jet/Venturi housing	Glass filled Noryl
Impeller	Glass filled polycarbonate
Jet	Acetyl
Venturi	Acetyl
Seal ring (stationary)	Ceramic
Seal ring (rotating)	Carbon
Orings	Nitrile rubber
Priming plug	Nylon
Shaft sleeve	316 stainless steel
Motor shell	Aluminium
Motor shell finish	Polyester powder coat
Capacitor cover	Polypropylene
Terminal box cover	Polypropylene
Mounting feet	Xenoy®

## ELECTRICAL DATA

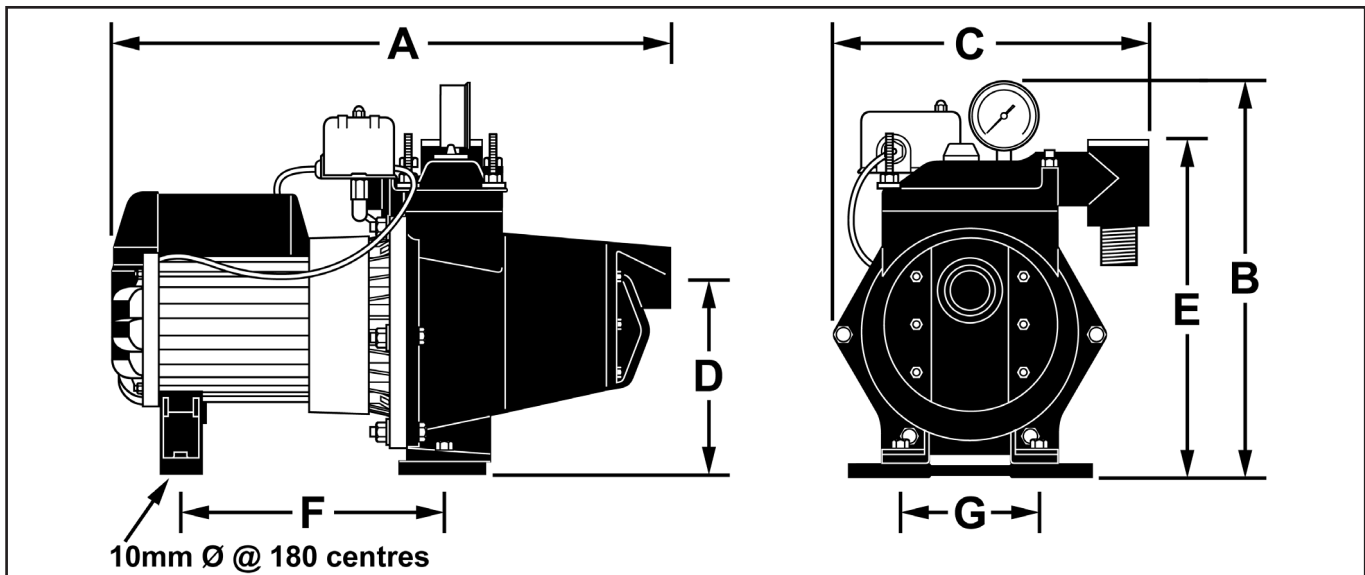
	95S	125S	165S
Supply voltage (1Ø)	220-250	220-250	220-250
Supply voltage (3Ø)	N/A	N/A	380-450
Output power (kW)	1.1	1.4	1.8
Max. rated current @ 240/415V (amps)	7.2	8.5	10/4.2
Locked rotor current @ 240/415V (amps)	21	25	39/24
Insulation class	F	F	F
IP rating	IP56	IP56	IP56
Starting (1Ø)	P.S.C.	P.S.C.	P.S.C.

## INSTALLATION & PRIMING

- Installations with suction lift require a good quality foot valve to avoid loss of prime.
- To prime, fill pump body and suction line through priming plug hole and replace plug.

**Note:** For complete details consult the installation and operating instructions.

## DIMENSIONS



Model	A	B	C	D	E	F	G	Inlet B.S.P.	Outlet B.S.P.	Net Weight (kg)
95S	535	365	300	158	320	210	210	1½" F	1¼" F	22
125S	555	365	300	158	320	230	210	1½" F	1¼" F	24.5
165S	555	365	300	158	320	230	210	1½" F	1¼" F	25

All dimensions in mm unless otherwise stated.

# TECHNICAL SPECIFICATIONS

	Jet Kit No	Total Suction Head m. ft.	Delivery Head in metres/feet																Maximum Shut-Off Pressure kPa psi	Pressure Switch Setting kPa psi				
			26	85	28	92	34	112	38	125	41	135	48	157	55	180	62	203			66	217		
			Delivery Head in kPa/psi																					
			260	38	280	41	340	49	380	55	410	59	480	70	550	80	620	90			660	96		
Output per minute in litres/gallons																								
95S 1ph 1.6kW* 1.1kW⊕ 7.2A	22690* Jet-Black Venturi-Green	0 0	95	20.8	91	20.0	60	13.1	42	9.2	29	6.3							480	70				
		1.5 5	86	18.9	83	18.2	55	12.0	40	8.7	27	5.9								476	69	260	38	
		4.0 13	70	15.3	69	15.1	45	9.8	30	6.5	17	3.7								450	65	to	to	
	1.6kW* 1.1kW⊕ 7.2A	22691 Jet-Brown Venturi-White	6.0 20	55	12.0	55	12.0	37	8.1	22	4.8	10	2.1							430	62	380	55	
			7.5 25	42	9.2	42	9.2	34	7.4	15	3.2										412	60		
			0 0				65	14.2	53	11.6	46	10.1	31	6.8	19	4.1					680	98		
	125S 1ph 2.1kW* 1.4kW⊕ 8.5A	22693* Jet-Black Venturi-Black	1.5 5	113	24.8	113	24.8	84	18.4	64	14.0	45	9.8							470	68	260	38	
			4.0 13	93	20.4	93	20.4	70	15.3	50	10.9	28	6.1							445	64	to	to	
			6.0 20	70	15.3	70	15.3	59	12.9	36	7.9	11	2.4							425	62	380	55	
		1.4kW⊕ 8.5A	22694 Jet-Green Venturi-Brown	7.5 25	57	12.5	57	12.5	43	9.4	18	3.9									400	58		
				0 0				90	19.7	78	17.1	67	14.7	47	10.3	28	6.1				660	96		
				1.5 5				82	18.0	73	16.0	63	13.8	43	9.4	24	5.2				650	94	340	49
1.4kW⊕ 8.5A		22695 Jet-Yellow Venturi-White	4.0 13				67	14.7	66	14.5	56	12.3	37	8.1	19	4.1				630	91	to	to	
			6.0 20				53	11.6	53	11.6	52	11.4	34	7.4	16	3.5				615	89	510	74	
			7.5 25				44	9.6	44	9.6	44	9.6	33	7.2	15	3.2				605	88			
165S 1ph 2.4kW* 1.8kW⊕ 10.0A 3ph 2.3kW* 1.8kW⊕ 4.2A		22697* Jet-White Venturi-Yellow	1.5 5	144	31.6	144	31.6	90	19.7	67	14.5	53	11.6							490	71			
			4.0 13	120	26.3	120	26.3	82	18.0	58	12.7	38	8.3							454	66	to	to	
			6.0 20	90	19.7	90	19.7	76	16.7	52	11.4	26	5.7							440	64	380	55	
	1.8kW⊕ 10.0A	22698 Jet-Red Venturi-Red	7.5 25	70	15.3	70	15.3	60	13.1	32	7.0									415	60			
			0 0				112	24.6	88	19.3	76	16.7	51	11.2	26	5.7				630	91			
			1.5 5				100	21.9	82	18.0	71	15.6	47	10.3	22	4.8				622	90	340	49	
	1.8kW⊕ 4.2A	22699 Jet-Red Venturi-Green	4.0 13				88	19.3	75	16.4	64	14.0	41	9.0	16	3.5				598	87	to	to	
			6.0 20				70	15.3	64	14.0	57	12.5	32	7.0	8	1.7				572	83	510	74	
			7.5 25				54	11.8	54	11.8	50	10.9	26	5.7						552	80			
	1.8kW⊕ 4.2A	22699 Jet-Red Venturi-Green	0 0																	830	120			
			1.5 5																	823	119	480	70	
			4.0 13																	805	117	to	to	
1.8kW⊕ 4.2A	22699 Jet-Red Venturi-Green	6.0 20																	795	115	660	96		
		7.5 25																	778	113				
		0 0																						

\* Input kW (P1)

⊕ Output kW (P2)

## INSTALLATION NOTES

- Denotes standard configuration. Models 95S, 125S & 165S may be converted to higher pressure by fitting relevant Jet & Venturi.
- Plumbing Connections: Inlet - 1 1/2" (38mm) BSPP female. Outlet - 1 1/4" (32mm) BSPP female - all models.
- Pumps are supplied with pressure switches connected, suitable for automatic pressure system operation.
- To convert litres/minute to gallons/hour multiply by 13.2. All imperial data is an approximation of metric figures. Specifications subject to change without notice.
- All single phase models supplied with plug and lead for 220/250 volt 50Hz operation. For 3 phase nominal 415 volt, specify when ordering (available for 165S).

This literature is not a complete guide to product usage. Further information is available from your Davey dealer, Davey Customer Service Centre and from the relevant product Installation and Operating Instructions. This data sheet must be read in conjunction with the relevant product Installation and Operating Instructions and all applicable statutory requirements. Product specifications may change without notice.

© Davey is a registered trademark of Davey Products Pty Ltd. © Davey Products Pty Ltd 2002.



Visit Davey on-line for further information  
[davey.com.au](http://davey.com.au)

DEPEND ON  
**DAVEY**

**WATER PRODUCTS**

#### **Davey Water Products Pty Ltd International**

Member of the GUD Group  
**ABN 18 066 327 517**  
**Head Office and Manufacturing**

6 Lakeview Drive,  
Scoresby, Australia 3179  
Ph: +61 3 9730 9222  
Fax: +61 3 9753 4100  
Website: [davey.com.au](http://davey.com.au)

#### **Customer Service Centre**

Ph: 1300 367 866  
Fax: 1300 369 119  
E-mail: [sales@davey.com.au](mailto:sales@davey.com.au)

#### **Interstate Offices**

Sydney • Brisbane • Adelaide  
Perth • Townsville

6 Lakeview Drive,  
Scoresby, Australia 3179  
Ph: +61 3 9730 9121  
Fax: +61 3 9753 4248  
E-mail: [export@davey.com.au](mailto:export@davey.com.au)

#### **Germany**

Kantstrasse 53,  
04275 Leipzig  
Ph: +49 341 301 0412  
Fax: +49 341 301 0413  
E-mail: [akrenz@daveyeurope.com](mailto:akrenz@daveyeurope.com)

#### **New Zealand**

7 Rockridge Avenue,  
Penrose, Auckland 1330  
Ph: +64 9 570 9135  
Fax: +64 9 527 7654  
Website: [daveynz.co.nz](http://daveynz.co.nz)  
E-mail: [sales@daveynz.co.nz](mailto:sales@daveynz.co.nz)

#### **USA - Davey Pumps Inc.**

1005 N. Commons Drive  
Aurora, Illinois 60504  
Ph: +1 630 898 6976  
Fax: +1 630 851 7744  
Website: [daveyusa.com](http://daveyusa.com)  
E-mail: [sales@daveyusa.com](mailto:sales@daveyusa.com)