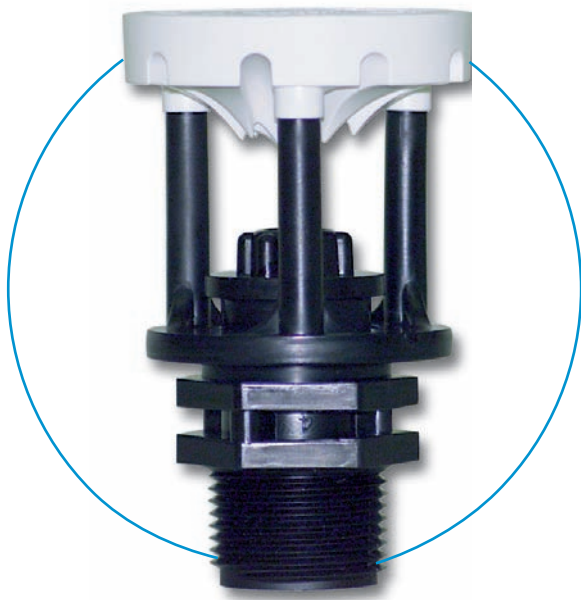


Wobblers® [Standard&Low Angle



Standard-Angle

NOTE:
Care must be taken to stabilize the riser. For other installation details, contact our factory.



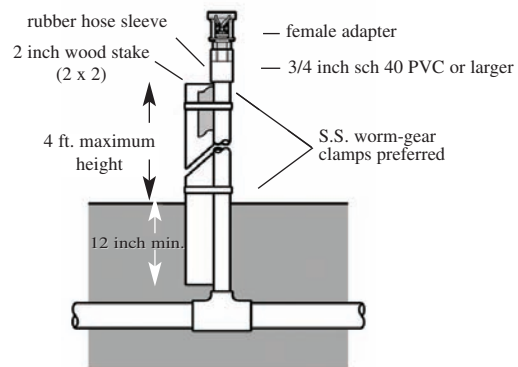
Low-Angle

The Senninger Wobbler has a unique off-center rotary-action. This design provides extremely uniform coverage over a large diameter at low pressures.

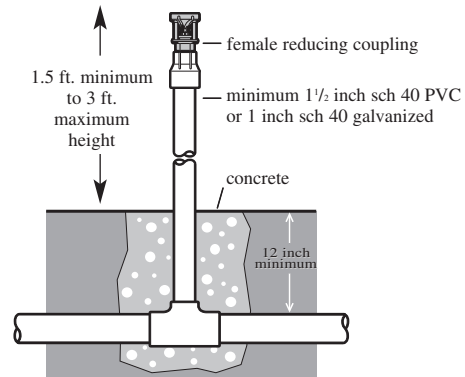
FEATURES:

- Only one moving part for longer life
- Built for strength and durability
- Flow rates: 0.78 to 8.25 gpm [177 to 1874 L/hr]
- Low evaporative loss
- Inlet: 3/4" and 1/2" M NPT
- Two-year warranty on materials, workmanship AND performance
- Color-coded nozzles for easy size identification; warranted to maintain correct orifice size for five years.

WOBLER ON RISER SUPPORTED WITH STAKE



WOBLER ON RISER WITH CONCRETE



Standard & Low Angle] Wobblers®



The Wobbler produces droplets which resist wind drift.

U.S. Data							Metric Data						
Sprinkler Base Press. [psi]	10	15	20	25	30	35	[bar]	0.69	1.03	1.38	1.73	2.07	2.42
							[psi]	10	15	20	25	30	35
#6 Nozzle - Gold [3/32"]							#6 Nozzle - Gold [2.38mm]						
Flow [gpm]	0.78	0.95	1.10	1.23	1.35	1.45	Flow [L/hr]	177	216	250	279	307	329
SA Diam. at 1.5' ht. [ft.]	34.0	39.0	41.5	43.5	44.0	45.0	SA Diam. at 0.46m ht [m]	10.4	11.9	12.7	13.3	13.4	13.7
LA Diam. at 1.5' ht. [ft.]	29.0	34.5	38.0	40.5	41.0	-	LA Diam. at 0.46m ht [m]	8.8	10.5	11.6	12.4	12.5	-
#7 Nozzle - Lime [7/64"]							#7 Nozzle - Lime [2.78mm]						
Flow [gpm]	1.06	1.30	1.50	1.68	1.84	1.99	Flow [L/hr]	241	295	341	382	418	452
SA Diam. at 1.5' ht. [ft.]	36.5	41.5	43.5	45.0	45.5	46.5	SA Diam. at 0.46m ht [m]	11.1	12.7	13.3	13.7	13.9	14.2
LA Diam. at 1.5' ht. [ft.]	31.5	37.0	40.0	41.5	42.0	-	LA Diam. at 0.46m ht [m]	9.6	11.3	12.2	12.7	12.8	-
#8 Nozzle - Lavender [1/8"]							#8 Nozzle - Lavender [3.18mm]						
Flow [gpm]	1.40	1.71	1.98	2.21	2.42	2.62	Flow [L/hr]	318	388	450	502	550	595
SA Diam. at 1.5' ht. [ft.]	38.5	43.5	45.0	46.5	47.0	48.0	SA Diam. at 0.46m ht [m]	11.7	13.3	13.7	14.2	14.3	14.6
LA Diam. at 1.5' ht. [ft.]	34.0	39.0	41.5	42.5	43.0	-	LA Diam. at 0.46m ht [m]	10.4	11.9	12.7	13.0	13.1	-
#9 Nozzle - Grey [9/64"]							#9 Nozzle - Grey [3.57mm]						
Flow [gpm]	1.80	2.20	2.54	2.84	3.11	3.36	Flow [L/hr]	409	500	577	645	706	763
SA Diam. at 1.5' ht. [ft.]	40.5	45.5	46.5	47.5	48.0	49.0	SA Diam. at 0.46m ht [m]	12.4	13.9	14.2	14.5	14.6	14.9
LA Diam. at 1.5' ht. [ft.]	35.5	40.5	42.5	43.5	44.0	-	LA Diam. at 0.46m ht [m]	10.8	12.4	13.0	13.3	13.4	-
#10 Nozzle - Turquoise [5/32"]							#10 Nozzle - Turquoise [3.97mm]						
Flow [gpm]	2.22	2.72	3.14	3.51	3.85	4.16	Flow [L/hr]	504	618	713	797	874	945
SA Diam. at 1.5' ht. [ft.]	42.0	47.0	48.0	48.5	49.0	50.0	SA Diam. at 0.46m ht [m]	12.8	14.3	14.6	14.8	14.9	15.3
LA Diam. at 1.5' ht. [ft.]	36.0	41.0	43.0	44.0	44.5	-	LA Diam. at 0.46m ht [m]	11.0	12.5	13.1	13.4	13.6	-
#11 Nozzle - Yellow [11/64"]							#11 Nozzle - Yellow [4.37mm]						
Flow [gpm]	2.69	3.30	3.81	4.26	4.67	5.05	Flow [L/hr]	611	749	865	968	1061	1147
SA Diam. at 1.5' ht. [ft.]	43.0	48.0	49.0	49.5	50.0	51.0	SA Diam. at 0.46m ht [m]	13.1	14.6	14.9	15.1	15.3	15.6
LA Diam. at 1.5' ht. [ft.]	36.5	42.0	43.5	44.5	45.0	-	LA Diam. at 0.46m ht [m]	11.1	12.8	13.3	13.6	13.7	-
#12 Nozzle - Red [3/16"]							#12 Nozzle - Red [4.76mm]						
Flow [gpm]	3.23	3.96	4.57	5.11	5.60	6.05	Flow [L/hr]	734	899	1038	1161	1272	1374
SA Diam. at 1.5' ht. [ft.]	44.0	49.0	50.0	50.5	51.0	51.5	SA Diam. at 0.46m ht [m]	13.4	14.9	15.3	15.4	15.6	15.7
LA Diam. at 1.5' ht. [ft.]	37.0	42.5	44.0	45.0	45.5	-	LA Diam. at 0.46m ht [m]	11.3	13.0	13.4	13.7	13.9	-
#13 Nozzle - White [13/64"]							#13 Nozzle - White [5.16mm]						
Flow [gpm]	3.80	4.65	5.38	6.01	6.59	7.12	Flow [L/hr]	863	1056	1222	1365	1497	1617
SA Diam. at 1.5' ht. [ft.]	44.5	49.5	50.5	51.0	51.5	52.0	SA Diam. at 0.46m ht [m]	13.6	15.1	15.4	15.6	15.7	15.9
LA Diam. at 1.5' ht. [ft.]	37.5	43.0	44.5	45.5	46.0	-	LA Diam. at 0.46m ht [m]	11.4	13.1	13.6	13.9	14.0	-
#14 Nozzle - Blue [7/32"]							#14 Nozzle - Blue [5.56mm]						
Flow [gpm]	4.40	5.39	6.23	6.97	7.64	8.25	Flow [L/hr]	999	1224	1415	1583	1735	1874
SA Diam. at 1.5' ht. [ft.]	45.0	50.0	51.0	51.5	52.0	52.5	SA Diam. at 0.46m ht [m]	13.7	15.3	15.6	15.7	15.9	16.0
LA Diam. at 1.5' ht. [ft.]	38.0	43.5	45.0	46.0	46.5	-	LA Diam. at 0.46m ht [m]	11.6	13.3	13.7	14.0	14.2	-

Sprinkler performance may vary with actual field conditions. Other nozzle sizes are available; consult factory for specific performance data. Stream heights range from 2.5 - 5.5 ft (0.8 - 1.7 m) above nozzle based on pressure and nozzle size. Minimum recommended riser height is 1.5 ft (0.46 m).